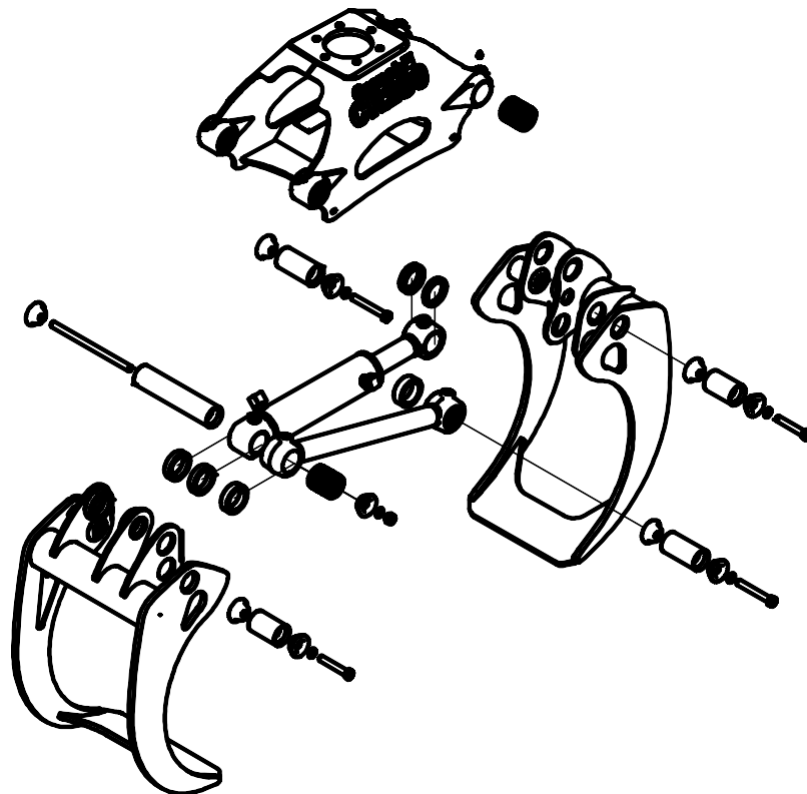


# Cranab®

## Náhradné diely DRAPÁKY

## Spare parts GRAPPLES



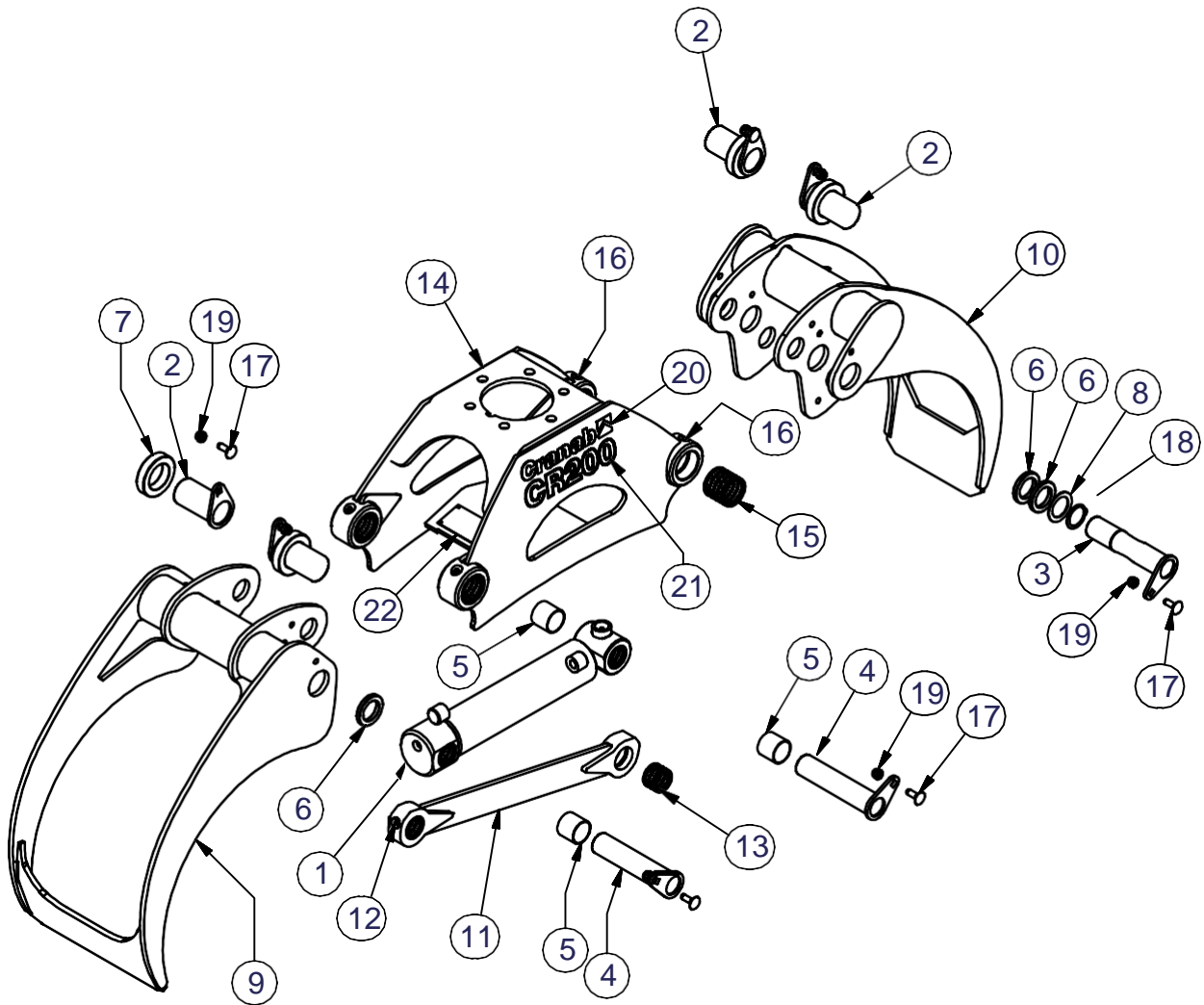
**Cranab AB, SE-922 82 VINDELN, ŠVÉDSKO ☎+46-(0)933-617 36**

**Copyright Copyright** © všetky práva vyhradené vrátane práva reprodukovať túto príručku alebo jej časti v akejkoľvek forme bez písomného súhlasu Cranab AB.

**Copyright** © All rights reserved, including the right to reproduce this manual, or parts thereof, in any form whatsoever without the written consent of Cranab AB.

## DRAPÁK CR200

## GRAPPLE CR200



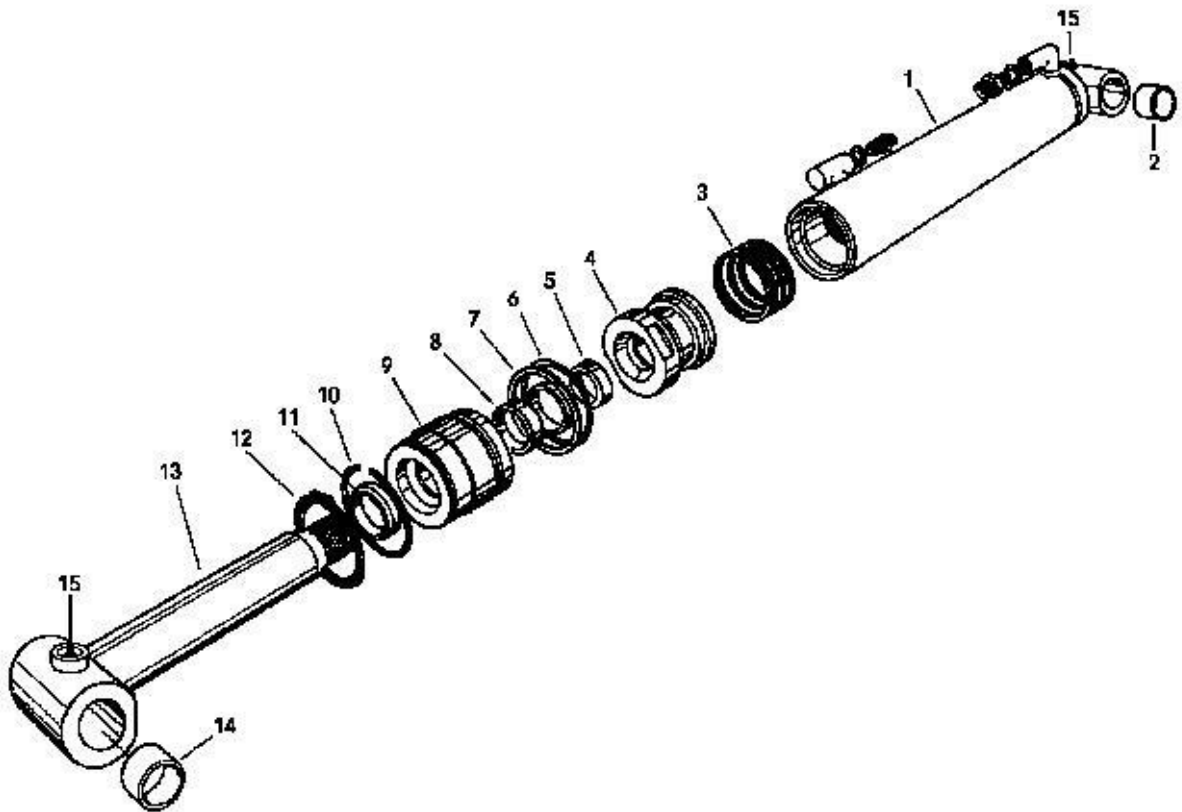
| Obr Fig | Kus Qty | Názov | Description | Rozmery | Diel č. Part. nr |
|---------|---------|-------|-------------|---------|------------------|
|---------|---------|-------|-------------|---------|------------------|

## DRAPÁK

## GRAPPLE

| 1       | 1        | VALEC                | CYLINDER         | ø70/40-250      | 1061263          |
|---------|----------|----------------------|------------------|-----------------|------------------|
| 2       | 4        | ČAP                  | PIN              | Ø40-91,5        | 4701452          |
| 3       | 1        | ČAP                  | PIN              | Ø40-181         | 4701458          |
| 4       | 2        | ČAP                  | PIN              | Ø40-181         | 4701455          |
| 5       | 3        | RÚRKOVÉ PUZDRO       | TUBE SLEEVE      |                 | 4701462          |
| 6       | 3        | VYMEDZOVACÍ KRÚŽOK   | SPACER           |                 | 4701461          |
| 7       | 4        | VYMEDZOVACÍ KRÚŽOK   | SPACER           |                 | 4701460          |
| 8       | 1        | VYMEDZOVACÍ KRÚŽOK   | SPACER           |                 | 4701463          |
| 9       | 1        | ČEL'USŤ VONKAJŠIA    | CLAW OUTER       |                 | 4701466          |
| 10      | 1        | ČEL'USŤ VNÚTORNÁ     | CLAW INNER       |                 | 4701465          |
| 11      | 1        | SPOJOVACIA TYČ       | TIE ROD          |                 | 4701467          |
| 12      | 2        | MAZNICA              | LUBRICATE NIPPLE | AHKR 1/8        | 1060360          |
| 13      | 2        | PUZDRO               | BUSHING          | 44x40x30        | 1061264          |
| 14      | 1        | RÁM                  | FRAME            |                 | 4701464          |
| 15      | 4        | PUZDRO               | BUSHING          | 55x50x50        | 1061251          |
| 16      | 4        | MAZNICA              | LUBRICATE NIPPLE | AHKR 1/8        | 1060360          |
| 17      | 7        | SKRUTKA              | SCREW            | MVBF 4.6 M10x30 | 5041098          |
| 18      | 1        | POISTNÝ KRÚŽOK       | RETAINING RING   | SGA 40x1,75     | 1061248          |
| 19      | 7        | POISTNÁ MATICA       | LOCK NUT         | LÄSMH 8 M10     | 1060724          |
| 20      | 2        | ŠTÍTOK CRANAB        | DECAL CRANAB     |                 | 4700642          |
| 21      | 2        | ŠTÍTOK CR200         | DECAL CR200      |                 | 5016443          |
| 22      | 1        | IDENTIFIKAČNÝ ŠTÍTOK | ID PLATE         |                 | 4700608          |
| Pos Fig | Ku s Qty | Názov                | Description      | Rozmery         | Diel č. Part. nr |

## VALEC CYLINDER

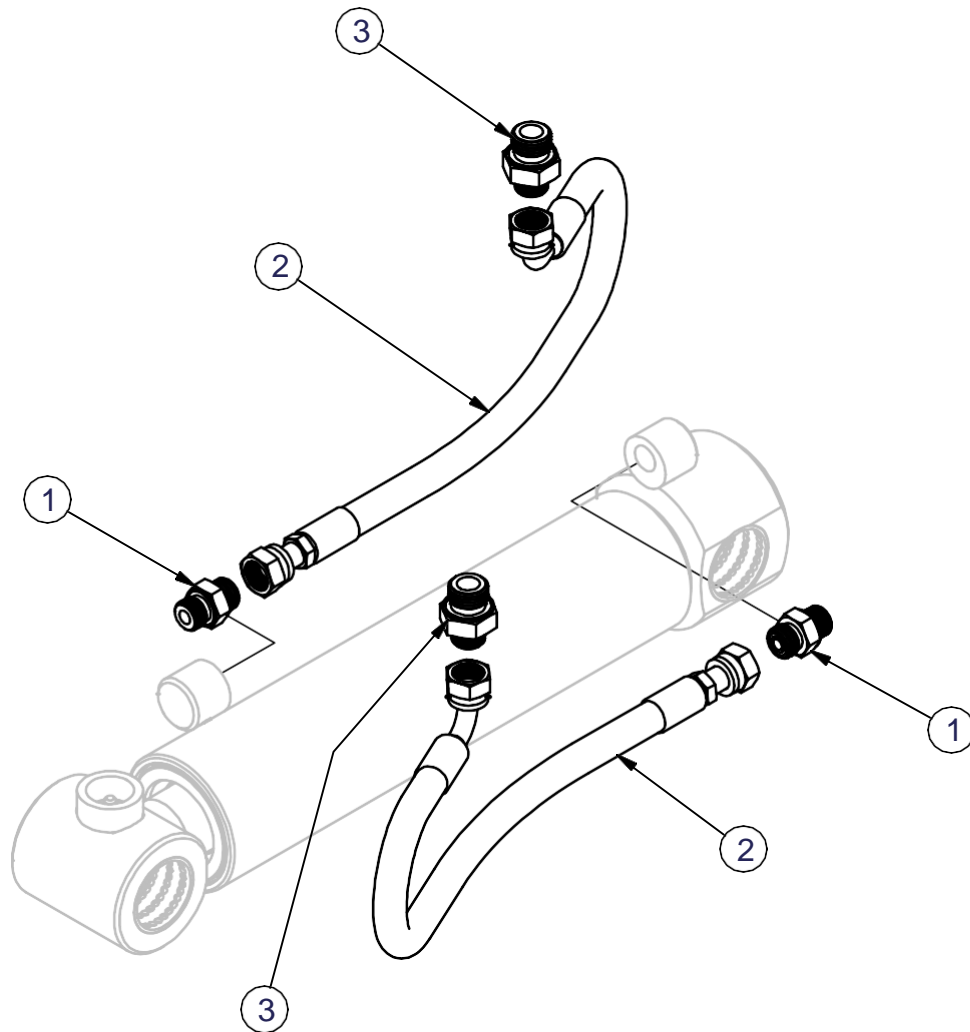


CR200-Cylinder

| Pos Fig | Kus Qty | Názov | Description | Rozmery | Diel č. Part. nr |
|---------|---------|-------|-------------|---------|------------------|
|---------|---------|-------|-------------|---------|------------------|

**VALEC****CYLINDER**

|         |         |                  |                  |           |                  |
|---------|---------|------------------|------------------|-----------|------------------|
| 1       | 1       | VALEC            | CYLINDER         |           | 1061310          |
| 2       | 2       | PUZDRO           | BUSHING          | ø44x40-30 | 1061264          |
| 3       | *       | TESNIACI KRÚŽOK  | SEAL RING        |           |                  |
| 4       | 1       | PIEST            | PISTON           |           | 1061311          |
| 5       | *       | TESNIACI KRÚŽOK  | SEAL RING        |           |                  |
| 6       | *       | O-KRÚŽOK         | O-RING           |           |                  |
| 7       | *       | PODPORNÝ KRÚŽOK  | SUPPORT RING     |           |                  |
| 8       | *       | VODIACI KRÚŽOK   | GUID RING        |           |                  |
| 9       | -       | HORNÁ MATICA     | TOP NUT          |           |                  |
| 10      | -       | ZATVÁRACÍ KRÚŽOK | LOCK RING        |           |                  |
| 11      | *       | STIERAČ          | WIPER            |           |                  |
| 12      | -       | POISTNÝ KRÚŽOK   | RETAINING RING   |           |                  |
| 13      | 1       | PIESTNICA        | PISTON ROD       |           | 1061312          |
| 14      | 2       | PUZDRO           | BUSHING          | ø44x40-30 | 1061264          |
| 15      | 2       | MAZNICA          | LUBRICATE NIPPLE | AHKR 1/8  | 1060360          |
|         | *       | SÚPRAVA TESNENIA | SEAL KIT         |           | 1061352          |
| Pos Fig | Kus Qty | Názov            | Description      | Rozmery   | Diel č. Part. nr |

**SÚPRAVA HADÍC CR200****HOSE KIT CR200**

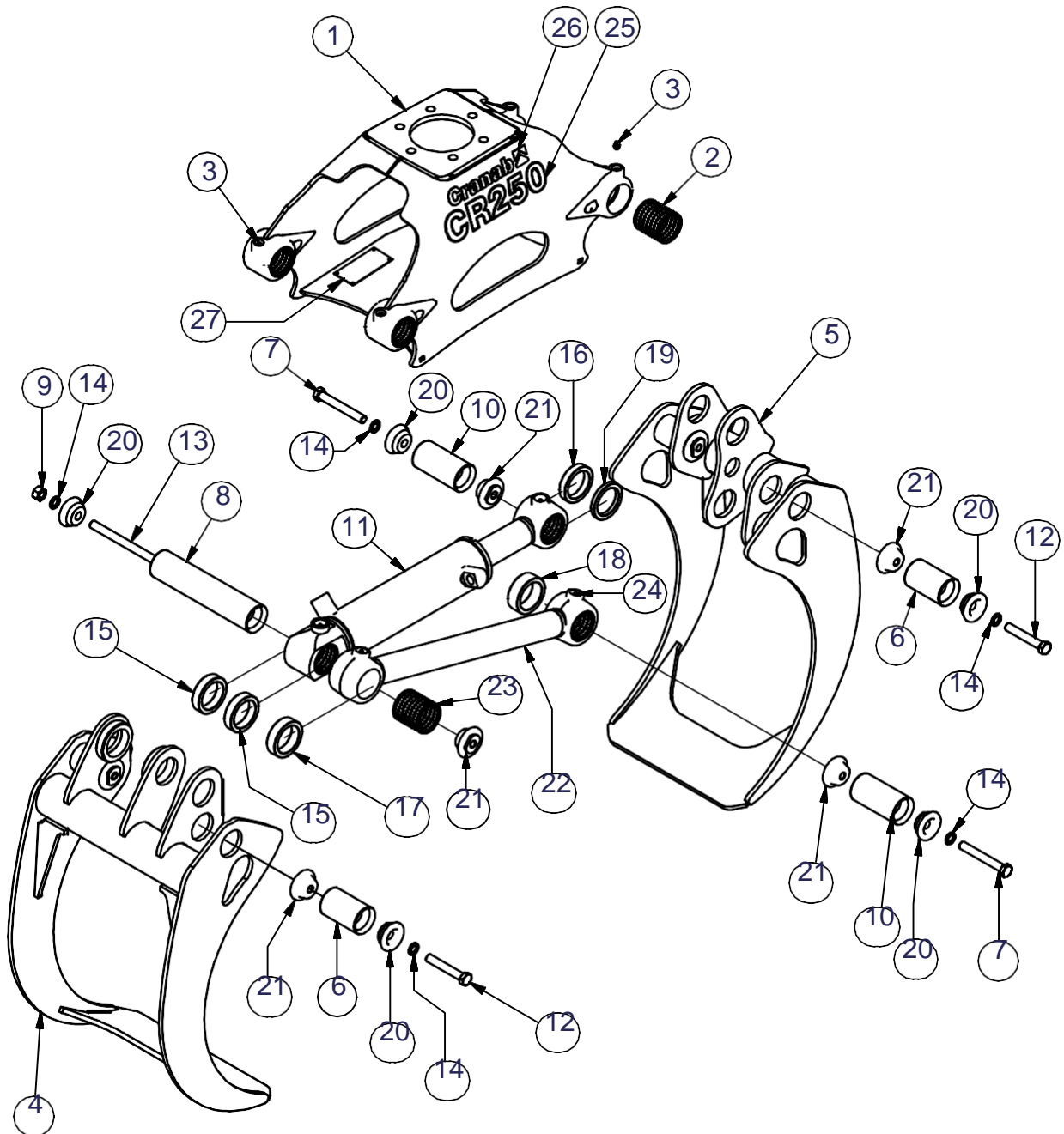
| Pos Fig | Kus Qty | Názov | Description | Rozmery | Diel č. Part. nr |
|---------|---------|-------|-------------|---------|------------------|
|---------|---------|-------|-------------|---------|------------------|

**SÚPRAVA HADÍC****HOSE KIT**

|            |            |         |             |               |                     |
|------------|------------|---------|-------------|---------------|---------------------|
| 1          | 2          | ADAPTÉR | ADAPTER     | 3/8"R-11/16"O | 4700959             |
| 2          | 2          | HADICA  | HOSE        | 2 3/8 600     | 4704903             |
| 3          | 2          | ADAPTER | ADAPTER     | 1/2"R-11/16"O | 4701837             |
| Pos<br>Fig | Kus<br>Qty | Názov   | Description | Rozmery       | Diel č.<br>Part. nr |

## DRAPÁK CR250

## GRAPPLE CR250



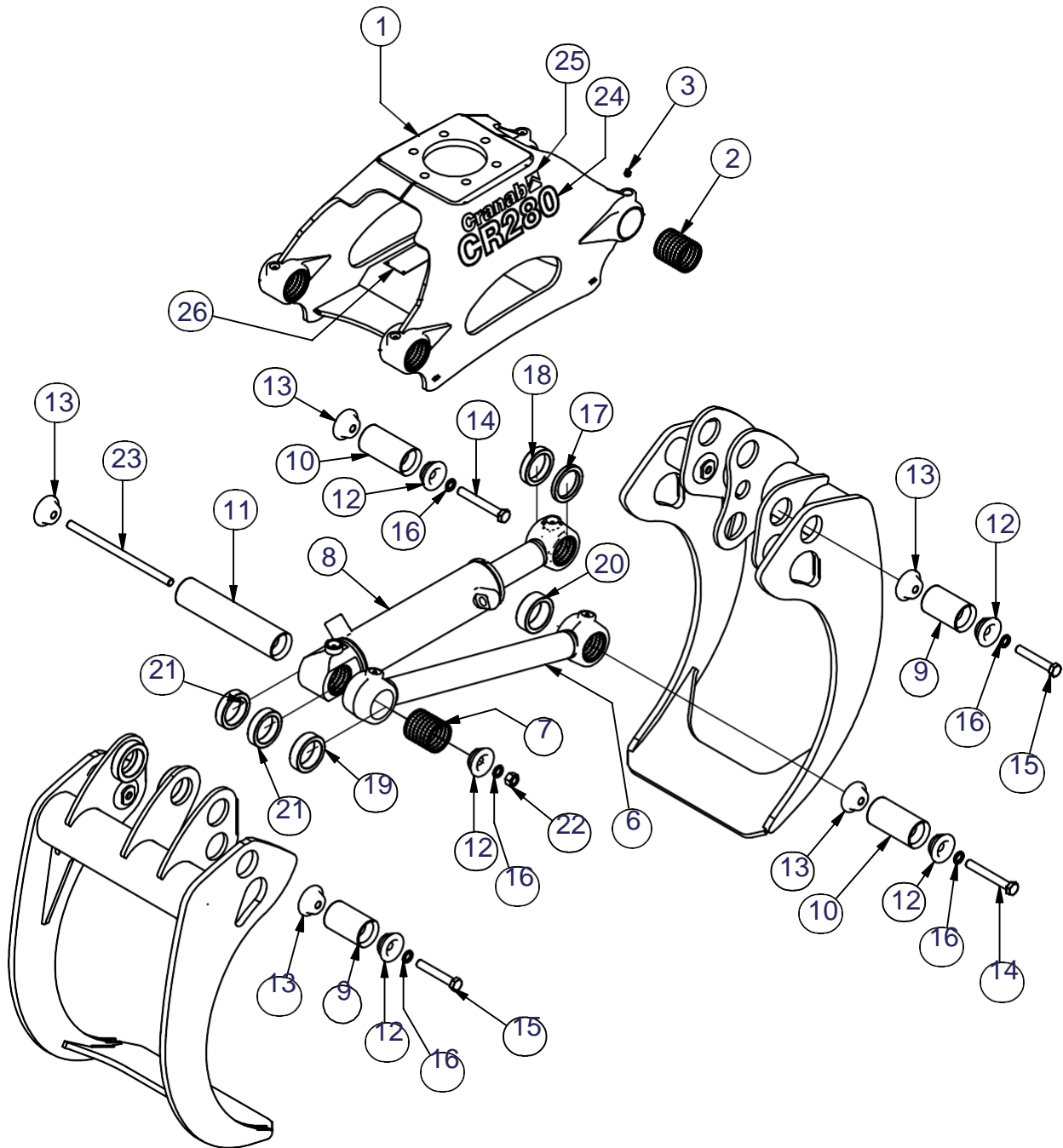
| Pos Fig | Kus Qty | Názov | Description | Rozmery | Diel č. Part. nr |
|---------|---------|-------|-------------|---------|------------------|
|---------|---------|-------|-------------|---------|------------------|



## DRAPÁK GRAPPLE

| 1       | 1       | RÁM                  | FRAME            |                  | 1061313          |
|---------|---------|----------------------|------------------|------------------|------------------|
| 2       | 4       | PUZDRO               | BUSHING          | 65x60x70         | 1060658          |
| 3       | 4       | MAZNICA              | LUBRICATE NIPPLE | AHKR 1/8         | 1060360          |
| 4       | 1       | ČELUSŤ VONKAJŠIA     | CLAW OUTER       |                  | 1061314          |
| 5       | 1       | ČELUSŤ VNÚTORNÁ      | CLAW INNER       |                  | 1061315          |
| 6       | 4       | ČAP EXPANDERA        | PIN EXP          | Ø60-96,5         | 1060687          |
| 7       | 2       | SKRUTKA              | SCREW            | M6S 10.9 M16x120 | 1060792          |
| 8       | 1       | ČAP EXPANDERA        | PIN EXP          | Ø60-272,5        | 1060680          |
| 9       | 1       | MATICA               | NUT              | M6M 10 M16       | 1060430          |
| 10      | 2       | ČAP EXPANDERA        | PIN EXP          | Ø60-119,5        | 1060685          |
| 11      | 1       | VALEC                | CYLINDER         |                  | 1061256          |
| 12      | 4       | SKRUTKA              | SCREW            | M6S 10.9 M16x100 | 1060695          |
| 13      | 1       | ČAP                  | PIN BOLT         | PS 8.8 M16x290   | 1061262          |
| 14      | 7       | PODLOŽKA             | WASHER           | NL 17x25x3,4     | 1060568          |
| 15      | 2       | VYMEDZOVACÍ KRÚŽOK   | SPACER           | ø80x60x19        | 1060690          |
| 16      | 1       | VYMEDZOVACÍ KRÚŽOK   | SPACER           | ø80x60x16        | 1060689          |
| 17      | 1       | VYMEDZOVACÍ KRÚŽOK   | SPACER           | ø80x60x22        | 1060691          |
| 18      | 1       | VYMEDZOVACÍ KRÚŽOK   | SPACER           | ø80x60x27        | 1060692          |
| 19      | 1       | VYMEDZOVACÍ KRÚŽOK   | SPACER           | ø80x60x10        | 1060688          |
| 20      | 7       | KUŽEL'               | CONE             |                  | 1060406          |
| 21      | 7       | KUŽEL'               | CONE             |                  | 1060696          |
| 22      | 1       | TYČKA                | BAR              |                  | 1061261          |
| 23      | 2       | PUZDRO               | BUSHING          | 65x60x70         | 1060658          |
| 24      | 2       | MAZNICA              | LUBRICATE NIPPLE | AHKR 1/8         | 1060360          |
| 25      | 2       | ŠTÍTOK               | DECAL            |                  | 5016444          |
| 26      | 2       | ŠTÍTOK CRANAB        | DECAL CRANAB     |                  | 4700642          |
| 27      | 1       | IDENTIFIKAČNÝ ŠTÍTOK | ID PLATE         |                  | 4700608          |
| Pos Fig | Kus Qty | Názov                | Description      | Rozmery          | Diel č. Part. nr |

**DRAPÁK CR280**  
**GRAPPLE CR280**



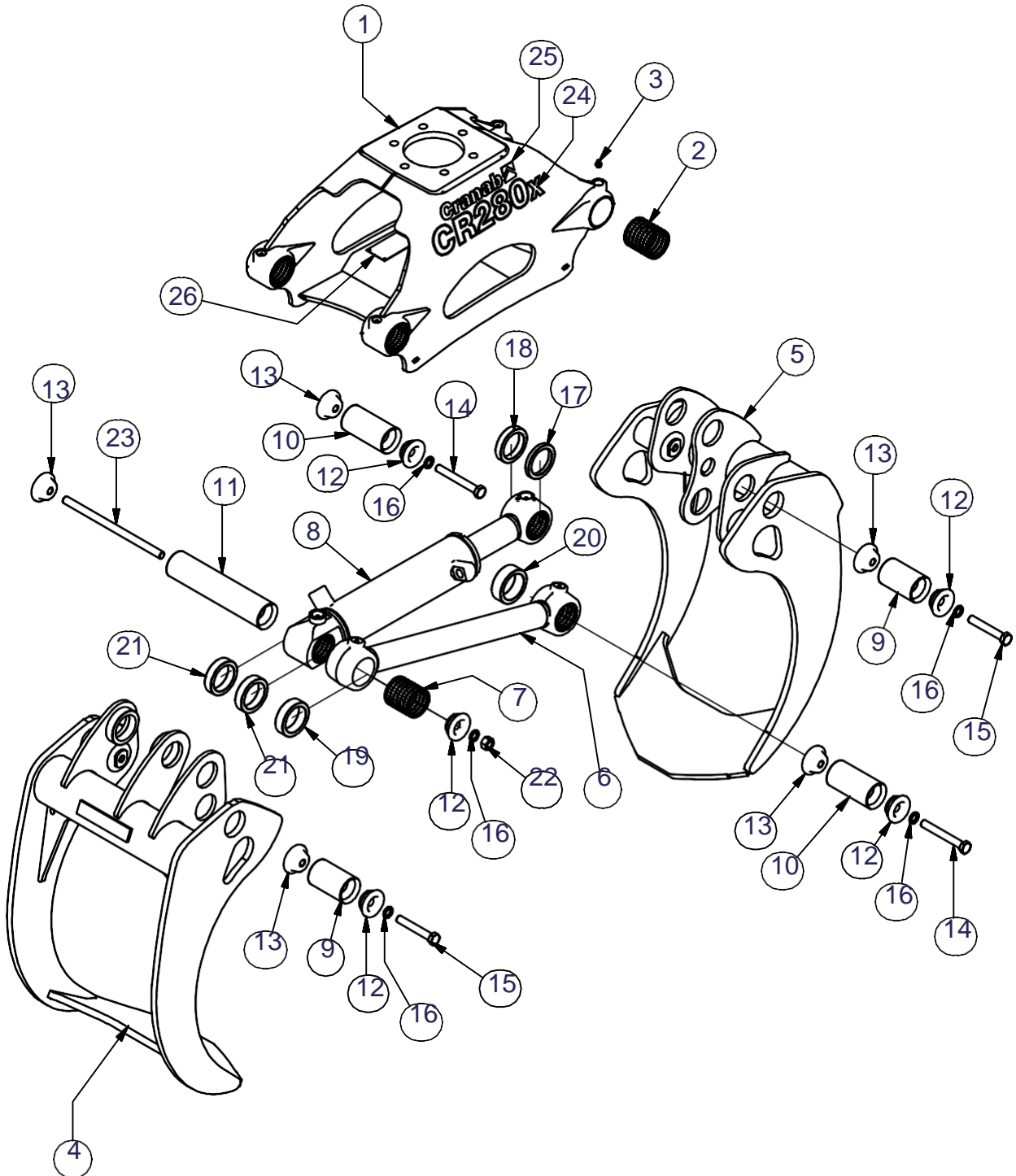
| Pos Fig | Kus Qty | Názov | Description | Rozmery | Diel č. Part. nr |
|---------|---------|-------|-------------|---------|------------------|
|---------|---------|-------|-------------|---------|------------------|

**DRAPÁK**  
**GRAPPLE**

|         |         |                      |                  |                  |                  |
|---------|---------|----------------------|------------------|------------------|------------------|
| 1       | 1       | RÁM                  | FRAME            |                  | 1060976          |
| 2       | 4       | PUZDRO               | BUSHING          | 65x60x70         | 1060658          |
| 3       | 6       | MAZNICA              | LUBRICATE NIPPLE | AHKR 1/8         | 1060360          |
| 4       | 1       | RAMENO DRAPÁKU       | GRAPPLE ARM      |                  | 1061259          |
| 5       | 1       | RAMENO DRAPÁKU       | GRAPPLE ARM      |                  | 1061260          |
| 6       | 1       | TYČKA                | BAR              |                  | 1061261          |
| 7       | 2       | PUZDRO               | BUSHING          | 65x60x70         | 1060658          |
| 8       | 1       | VALEC                | CYLINDER         |                  | 1061256          |
| 9       | 4       | ČAP EXPANDERA        | PIN EXP          | Ø60-96,5         | 1060687          |
| 10      | 2       | ČAP EXPANDERA        | PIN EXP          | Ø60-119,5        | 1060685          |
| 11      | 1       | ČAP EXPANDERA        | PIN EXP          | Ø60-272,5        | 1060680          |
| 12      | 7       | KUŽEL'               | CONE             |                  | 1060406          |
| 13      | 7       | KUŽEL'               | CONE             |                  | 1060696          |
| 14      | 2       | SKRUTKA              | SCREW            | M6S 10.9 M16x120 | 1060792          |
| 15      | 4       | SKRUTKA              | SCREW            | M6S 10.9 M16x100 | 1060695          |
| 16      | 7       | PODLOŽKA             | WASHER           | NL 17x25x3,4     | 1060568          |
| 17      | 1       | VYMEDZOVACÍ KRÚŽOK   | SPACER           | ø80x60x10        | 1060688          |
| 18      | 1       | VYMEDZOVACÍ KRÚŽOK   | SPACER           | ø80x60x16        | 1060689          |
| 19      | 1       | VYMEDZOVACÍ KRÚŽOK   | SPACER           | ø80x60x22        | 1060691          |
| 20      | 1       | VYMEDZOVACÍ KRÚŽOK   | SPACER           | ø80x60x27        | 1060692          |
| 21      | 2       | VYMEDZOVACÍ KRÚŽOK   | SPACER           | ø80x60x19        | 1060690          |
| 22      | 1       | MATICA               | NUT              | M6M 10 M16       | 1060430          |
| 23      | 1       | ČAP                  | PIN BOLT         | PS 8.8 M16x290   | 1061262          |
| 24      | 2       | ŠTÍTOK CR280         | DECAL CR280      |                  | 5016445          |
| 25      | 2       | ŠTÍTOK CRANAB        | DECAL CRANAB     |                  | 4700642          |
| 26      | 1       | IDENTIFIKAČNÝ ŠTÍTOK | ID PLATE         |                  | 4700608          |
| Pos Fig | Kus Qty | Názov                | Description      | Rozmery          | Diel č. Part. nr |

## DRAPÁK CR280X

## GRAPPLE CR280X



| Pos Fig | Kus Qty | Názov | Description | Rozmery | Diel č. Part. nr |
|---------|---------|-------|-------------|---------|------------------|
|---------|---------|-------|-------------|---------|------------------|

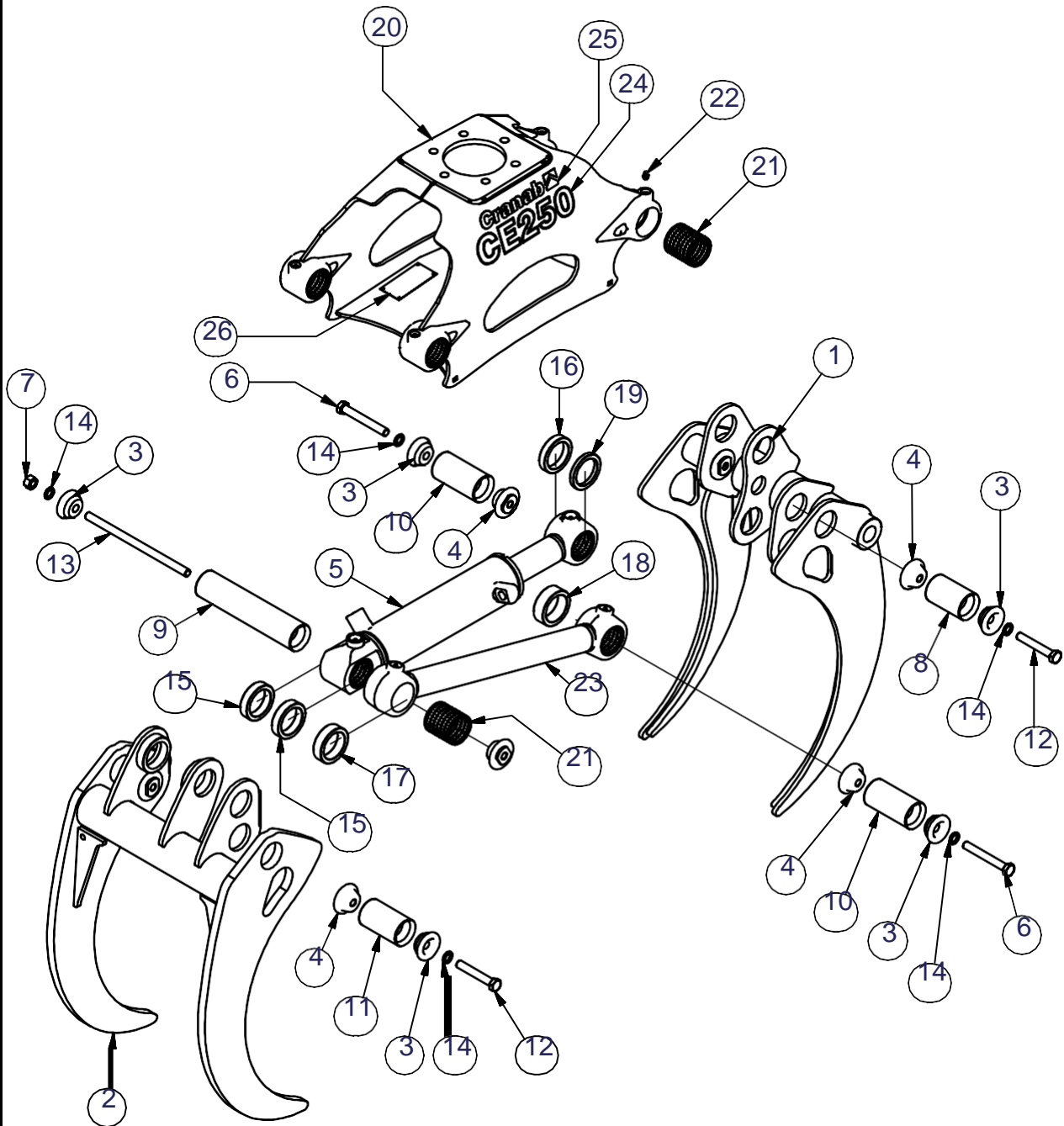
## DRAPÁK

## GRAPPLE

| 1       | 1       | RÁM                  | FRAME            |                  | 1060976          |
|---------|---------|----------------------|------------------|------------------|------------------|
| 2       | 4       | PUZDRO               | BUSHING          | 65x60x70         | 1060658          |
| 3       | 6       | MAZNICA              | LUBRICATE NIPPLE | AHKR 1/8         | 1060360          |
| 4       | 1       | ČELUSŤ VONKAJŠIA     | CLAW OUTER       |                  | 4703320          |
| 5       | 1       | ČELUSŤ VNÚTORNÁ      | CLAW INNER       |                  | 4703321          |
| 6       | 1       | TYČKA                | BAR              |                  | 1061261          |
| 7       | 2       | PUZDRO               | BUSHING          | 65x60x70         | 1060658          |
| 8       | 1       | CYLINDER             | CYLINDER         |                  | 1061256          |
| 9       | 4       | ČAP EXPANDERA        | PIN EXP          | Ø60-96,5         | 1060687          |
| 10      | 2       | ČAP EXPANDERA        | PIN EXP          | Ø60-119,5        | 1060685          |
| 11      | 1       | ČAP EXPANDERA        | PIN EXP          | Ø60-272,5        | 1060680          |
| 12      | 7       | KUŽEL'               | CONE             |                  | 1060406          |
| 13      | 7       | KUŽEL'               | CONE             |                  | 1060696          |
| 14      | 2       | SKRUTKA              | SCREW            | M6S 10.9 M16x120 | 1060792          |
| 15      | 4       | SKRUTKA              | SCREW            | M6S 10.9 M16x100 | 1060695          |
| 16      | 7       | PODLOŽKA             | WASHER           | NL 17x25x3,4     | 1060568          |
| 17      | 1       | VYMEDZOVACÍ KRÚŽOK   | SPACER           | ø80x60x10        | 1060688          |
| 18      | 1       | VYMEDZOVACÍ KRÚŽOK   | SPACER           | ø80x60x16        | 1060689          |
| 19      | 1       | VYMEDZOVACÍ KRÚŽOK   | SPACER           | ø80x60x22        | 1060691          |
| 20      | 1       | VYMEDZOVACÍ KRÚŽOK   | SPACER           | ø80x60x27        | 1060692          |
| 21      | 2       | VYMEDZOVACÍ KRÚŽOK   | SPACER           | ø80x60x19        | 1060690          |
| 22      | 1       | MATICA               | NUT              | M6M 10 M16       | 1060430          |
| 23      | 1       | ČAP                  | PIN BOLT         | PS 8.8 M16x290   | 1061262          |
| 24      | 2       | ŠTÍTOK CR280x        | DECAL CR280x     |                  | 4701849          |
| 25      | 2       | ŠTÍTOK CRANAB        | DECAL CRANAB     |                  | 4700642          |
| 26      | 1       | IDENTIFIKAČNÝ ŠTÍTOK | ID PLATE         |                  | 4700608          |
| Pos Fig | Kus Qty | Názov                | Description      | Rozmery          | Diel č. Part. nr |

## DRAPÁK CE250

## GRAPPLE CE250



| Pos Fig | Kus Qty | Názov | Description | Rozmery | Diel č. Part. nr |
|---------|---------|-------|-------------|---------|------------------|
|---------|---------|-------|-------------|---------|------------------|

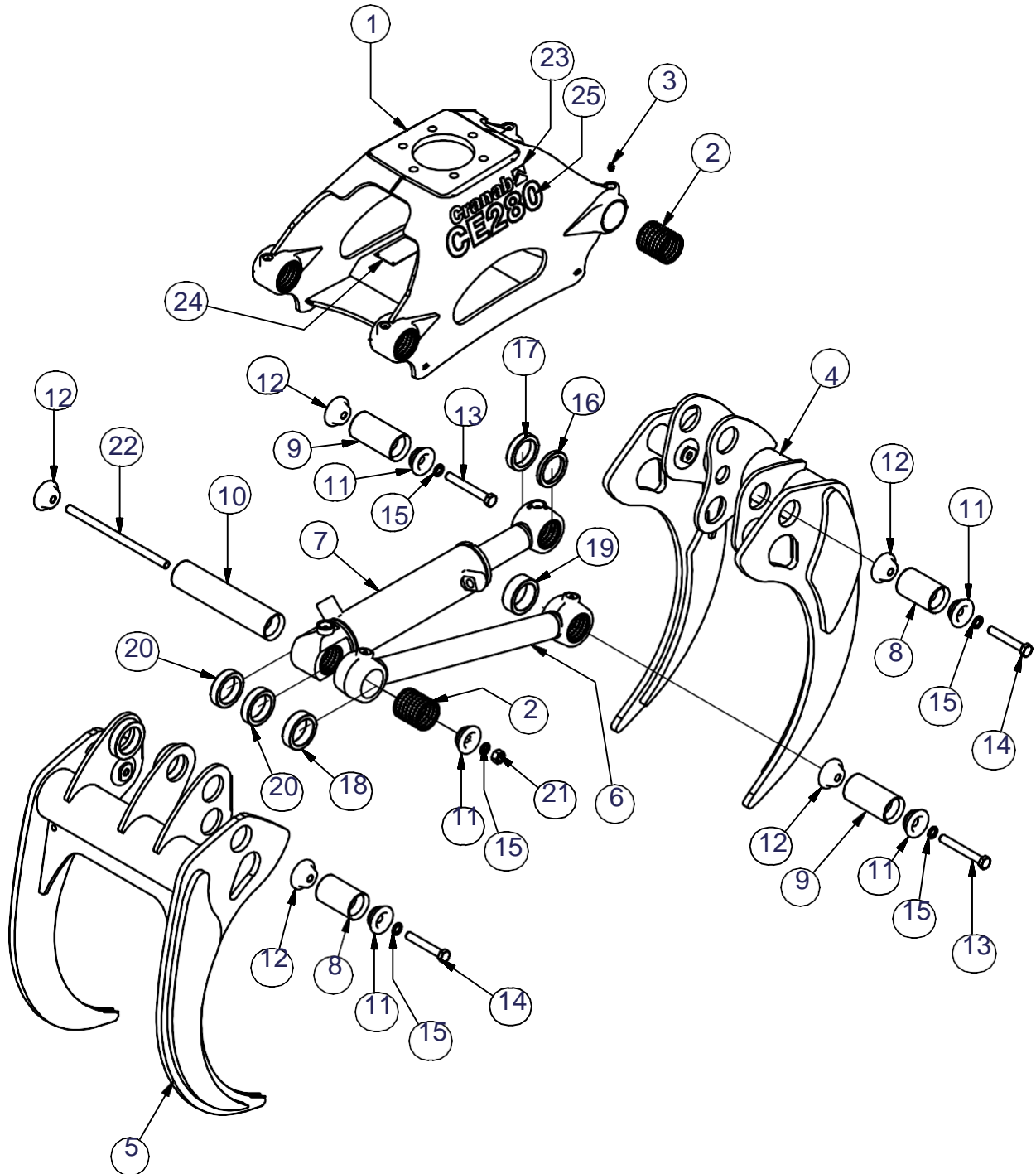
## DRAPÁK

## GRAPPLE

| 1       | 1       | ČELUSŤ VNÚTORNÁ      | CLAW INNER       |                  | 4700183          |
|---------|---------|----------------------|------------------|------------------|------------------|
| 2       | 1       | ČELUSŤ VONKAJŠIA     | CLAW OUTER       |                  | 4700182          |
| 3       | 7       | KUŽEL'               | CONE             |                  | 1060406          |
| 4       | 7       | KUŽEL'               | CONE             |                  | 1060696          |
| 5       | 1       | VALEC                | CYLINDER         |                  | 1061256          |
| 6       | 2       | SKRUTKA              | SCREW            | M6S 10.9 M16x120 | 1060792          |
| 7       | 1       | MATICA               | NUT              | M6M 10 M16       | 1060430          |
| 8       | 2       | ČAP EXPANDERA        | PIN EXP          | Ø60-96,5         | 1060687          |
| 9       | 1       | ČAP EXPANDERA        | PIN EXP          | Ø60-272,5        | 1060680          |
| 10      | 2       | ČAP EXPANDERA        | PIN EXP          | Ø60-119,5        | 1060685          |
| 11      | 2       | ČAP EXPANDERA        | PIN EXP          | Ø60-104          | 1060686          |
| 12      | 4       | SKRUTKA              | SCREW            | M6S 10.9 M16x100 | 1060695          |
| 13      | 1       | ČAP                  | PIN BOLT         | PS 8.8 M16x290   | 1061262          |
| 14      | 7       | PODLOŽKA             | WASHER           | NL 17x25x3,4     | 1060568          |
| 15      | 2       | VYMEDZOVACÍ KRÚŽOK   | SPACER           | ø80x60x19        | 1060690          |
| 16      | 1       | VYMEDZOVACÍ KRÚŽOK   | SPACER           | ø80x60x16        | 1060689          |
| 17      | 1       | VYMEDZOVACÍ KRÚŽOK   | SPACER           | ø80x60x22        | 1060691          |
| 18      | 1       | VYMEDZOVACÍ KRÚŽOK   | SPACER           | ø80x60x27        | 1060692          |
| 19      | 1       | VYMEDZOVACÍ KRÚŽOK   | SPACER           | ø80x60x10        | 1060688          |
| 20      | 1       | RÁM                  | FRAME            |                  | 1061313          |
| 21      | 6       | PUZDRO               | BUSHING          | 65x60x70         | 1060658          |
| 22      | 6       | MAZNICA              | LUBRICATE NIPPLE | AHKR 1/8         | 1060360          |
| 23      | 1       | TYČKA                | BAR              |                  | 1061261          |
| 24      | 2       | ŠTÍTOK CE250         | DECAL CE250      |                  | 4700740          |
| 25      | 2       | ŠTÍTOK CRANAB        | DECAL CRANAB     |                  | 4700642          |
| 26      | 1       | IDENTIFIKAČNÝ ŠTÍTOK | ID PLATE         |                  | 4700608          |
| Pos Fig | Kus Qty | Názov                | Description      | Rozmery          | Diel č. Part. nr |

## DRAPÁK CE280

## GRAPPLE CE280



| Pos Fig | Kus Qty | Názov | Description | Rozmery | Diel č. Part. nr |
|---------|---------|-------|-------------|---------|------------------|
|---------|---------|-------|-------------|---------|------------------|

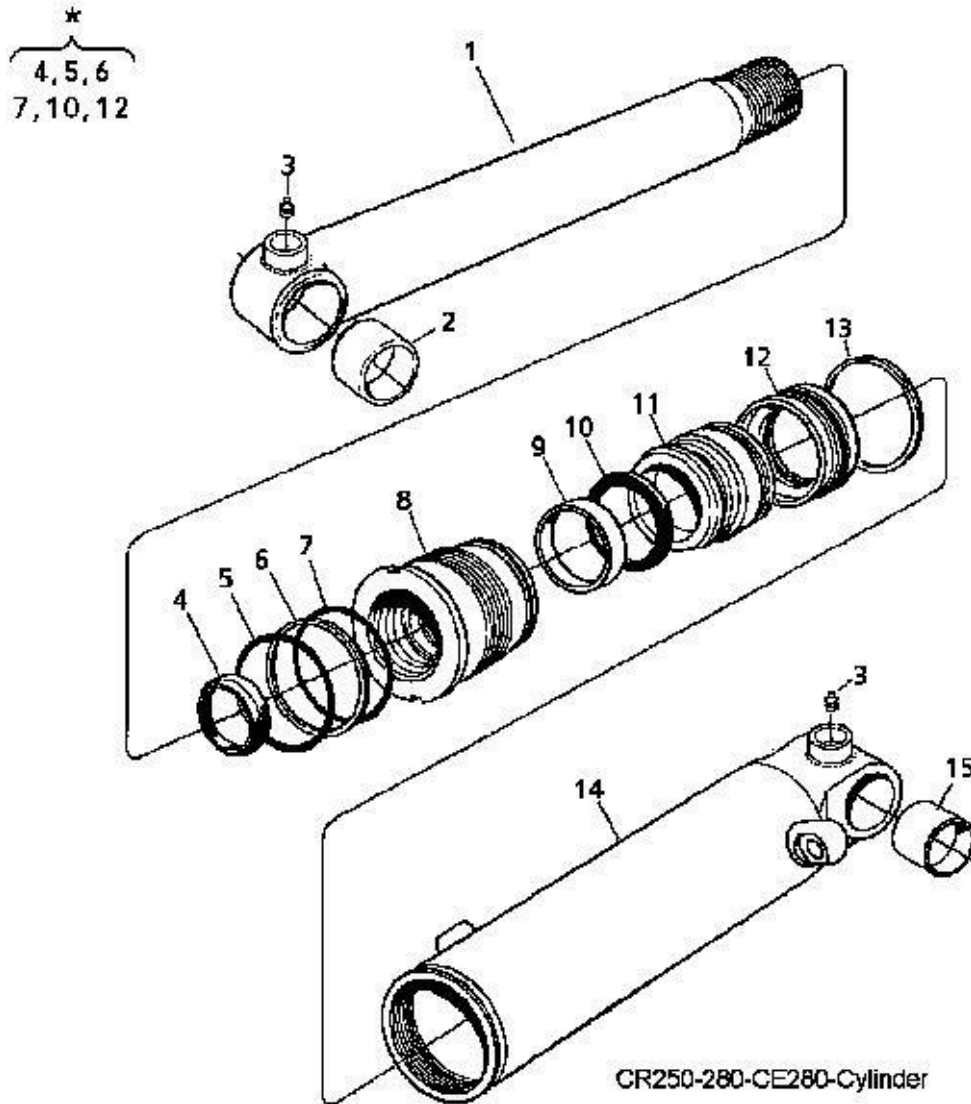


## DRAPÁK

## GRAPPLE

| 1       | 1       | RÁM                  | FRAME            |                  | 1060976          |
|---------|---------|----------------------|------------------|------------------|------------------|
| 2       | 6       | PÚZDRO               | BUSHING          | 65x60x70         | 1060658          |
| 3       | 6       | MAZNICA              | LUBRICATE NIPPLE | AHKR 1/8         | 1060360          |
| 4       | 1       | ČELUSŤ VNÚTORNÁ      | CLAW INNER       |                  | 1061332          |
| 5       | 1       | ČELUSŤ VONKAJŠIA     | CLAW OUTER       |                  | 1061333          |
| 6       | 1       | TYČKA                | BAR              |                  | 1061261          |
| 7       | 1       | VALEC                | CYLINDER         |                  | 1061256          |
| 8       | 4       | ČAP EXPANDERA        | PIN EXP          | Ø60-96,5         | 1060687          |
| 9       | 2       | ČAP EXPANDERA        | PIN EXP          | Ø60-119,5        | 1060685          |
| 10      | 1       | ČAP EXPANDERA        | PIN EXP          | Ø60-272,5        | 1060680          |
| 11      | 7       | KUŽEL'               | CONE             |                  | 1060406          |
| 12      | 7       | KUŽEL'               | CONE             |                  | 1060696          |
| 13      | 2       | SKRUTKA              | SCREW            | M6S 10.9 M16x120 | 1060792          |
| 14      | 4       | SKRUTKA              | SCREW            | M6S 10.9 M16x100 | 1060695          |
| 15      | 7       | PODLOŽKA             | WASHER           | NL 17x25x3,4     | 1060568          |
| 16      | 1       | VYMEDZOVACÍ KRÚŽOK   | SPACER           | ø80x60x10        | 1060688          |
| 17      | 1       | VYMEDZOVACÍ KRÚŽOK   | SPACER           | ø80x60x16        | 1060689          |
| 18      | 1       | VYMEDZOVACÍ KRÚŽOK   | SPACER           | ø80x60x22        | 1060691          |
| 19      | 1       | VYMEDZOVACÍ KRÚŽOK   | SPACER           | ø80x60x27        | 1060692          |
| 20      | 2       | VYMEDZOVACÍ KRÚŽOK   | SPACER           | ø80x60x19        | 1060690          |
| 21      | 1       | MATICA               | NUT              | M6M 10 M16       | 1060430          |
| 22      | 1       | SKRUTKA              | PIN BOLT         | PS 8.8 M16x290   | 1061262          |
| 23      | 2       | ŠTÍTOK CRANAB        | DECAL CRANAB     |                  | 4700642          |
| 24      | 1       | IDENTIFIKAČNÝ ŠTÍTOK | ID PLATE         |                  | 4700608          |
| 25      | 2       | ŠTÍTOK CE280         | ŠTÍTOK CE280     |                  | 5016442          |
| Pos Fig | Kus Qty | Názov                | Description      | Rozmery          | Diel č. Part. nr |

## VALEC CYLINDER



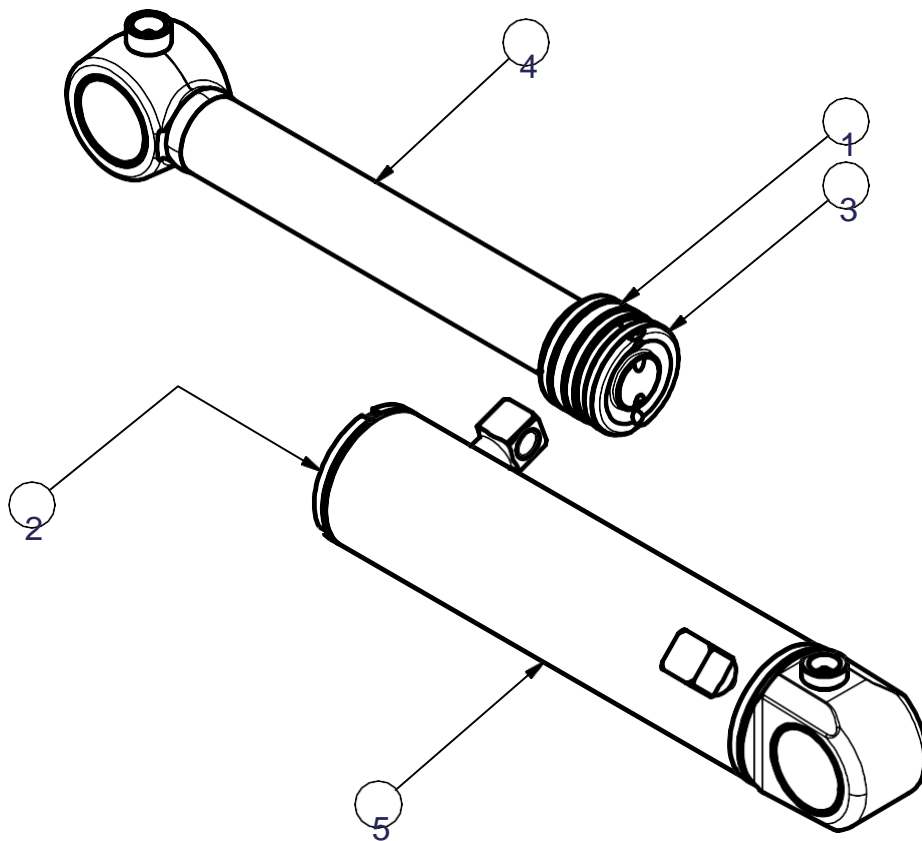
| Pos Fig | Kus Qty | Názov | Description | Rozmery | Diel č. Part. nr |
|---------|---------|-------|-------------|---------|------------------|
|---------|---------|-------|-------------|---------|------------------|

**VALEC****CYLINDER**

|         |         |                  |                    |           |                  |
|---------|---------|------------------|--------------------|-----------|------------------|
| 1       | 1       | PIESTNICA        | PISTON ROD         |           | 1061318          |
| 2       | 1       | PÚZDRO           | BUSHING            | ø65x60-70 | 1060658          |
| 3       | 1       | MAZNICA          | LUBRICATING NIPPLE |           | 1060360          |
| 4       | 1       | *                | *                  |           |                  |
| 5       | 1       | *                | *                  |           |                  |
| 6       | 1       | *                | *                  |           |                  |
| 7       | 1       | *                | *                  |           |                  |
| 8       | 1       | HORNÁ MATICA     | TOP NUT            |           | 1061319          |
| 9       | 1       | VODIDLO          | GUIDE              |           | 1061320          |
| 10      | 1       | *                | *                  |           |                  |
| 11      | 1       | PIEST            | PISTON             |           | 1061321          |
| 12      | 1       | *                | *                  |           |                  |
| 13      | 1       | PIESTNY KRÚŽOK   | PISTONRING         |           | 1061323          |
| 14      | 1       | VALEC            | CYLINDER           |           | 1061322          |
| 15      | 1       | PÚZDRO           | BUSHING            | ø65x60-70 | 1060658          |
| *       | *       | SÚPRAVA TESNENIA | SEAL KIT           |           | 1061324          |
| Pos Fig | Kus Qty | Názov            | Description        | Rozmery   | Diel č. Part. nr |

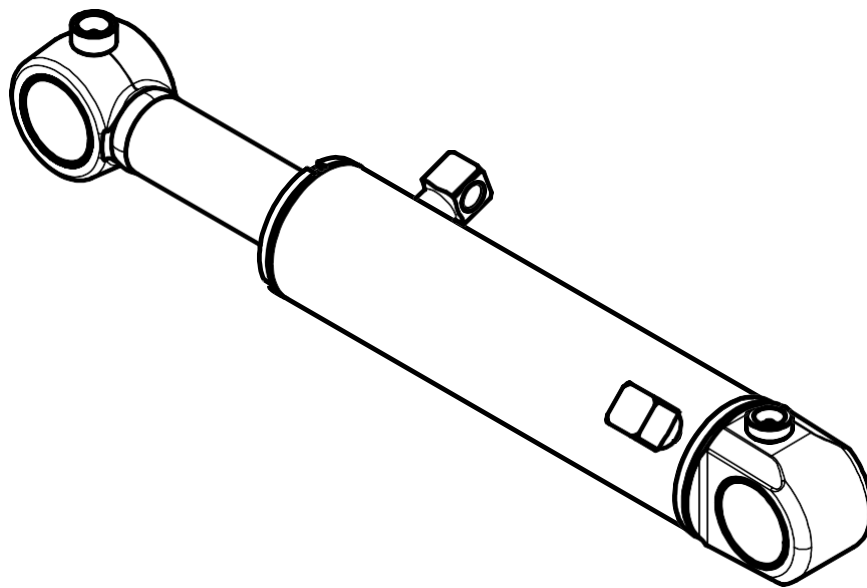
VALEC 80/56-2/2

## CYLINDER



VALEC 80/56-272

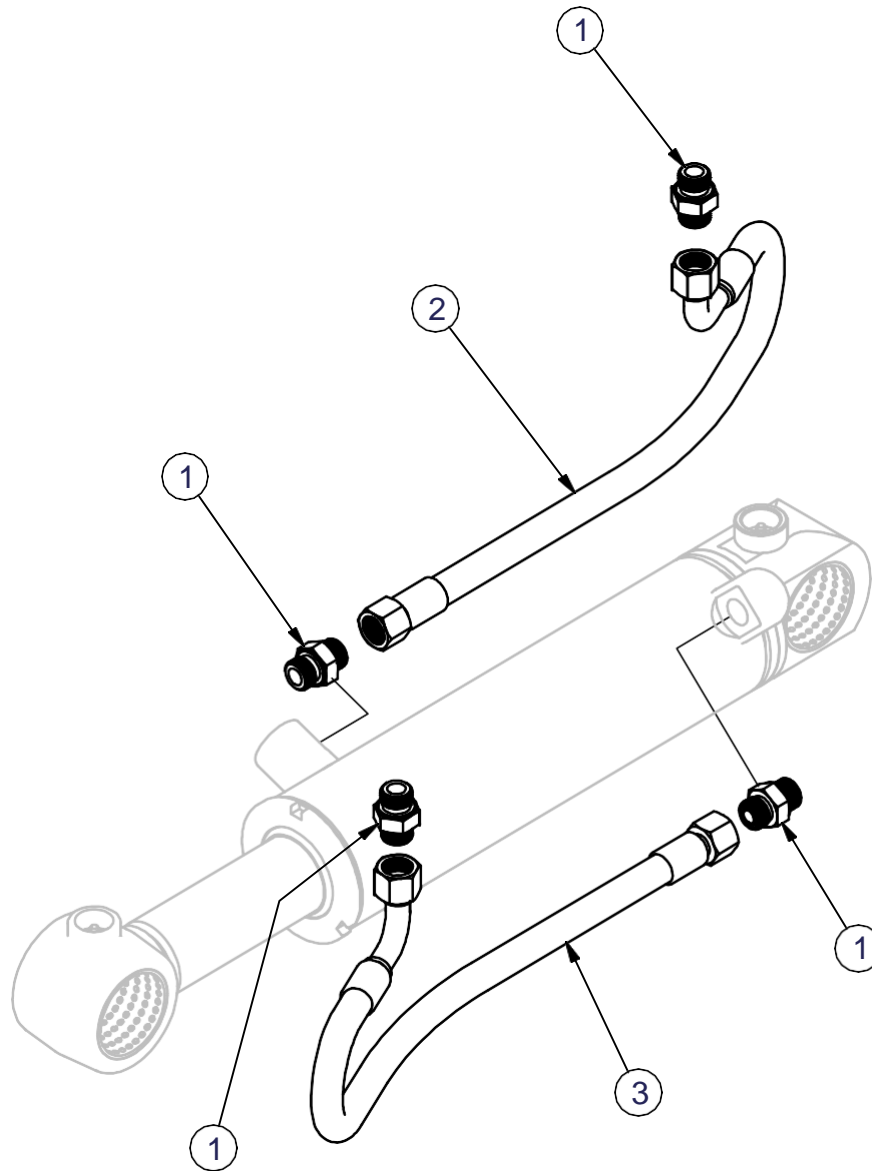
CYLINDER



|            |            |                  |             |         |                     |
|------------|------------|------------------|-------------|---------|---------------------|
| 1          | 1          | SÚPRAVA TESNENIA | SEAL KIT    | 80/56   | 4708429             |
| 2          | 1          | HORNÁ MATICA     | TOP NUT     |         | 4708425             |
| 3          | 1          | PIEST            | PISTON      |         | 4708426             |
| 4          | 1          | PIESTNICA        | PISTON ROD  |         | 4708427             |
| 5          | 1          | VALEC            | CYLINDER    |         | 4708428             |
| Pos<br>Fig | Kus<br>Qty | Názov            | Description | Rozmery | Diel č.<br>Part. nr |

## SÚPRAVA HADÍC CR250/280

## HOSE KIT CR250/280



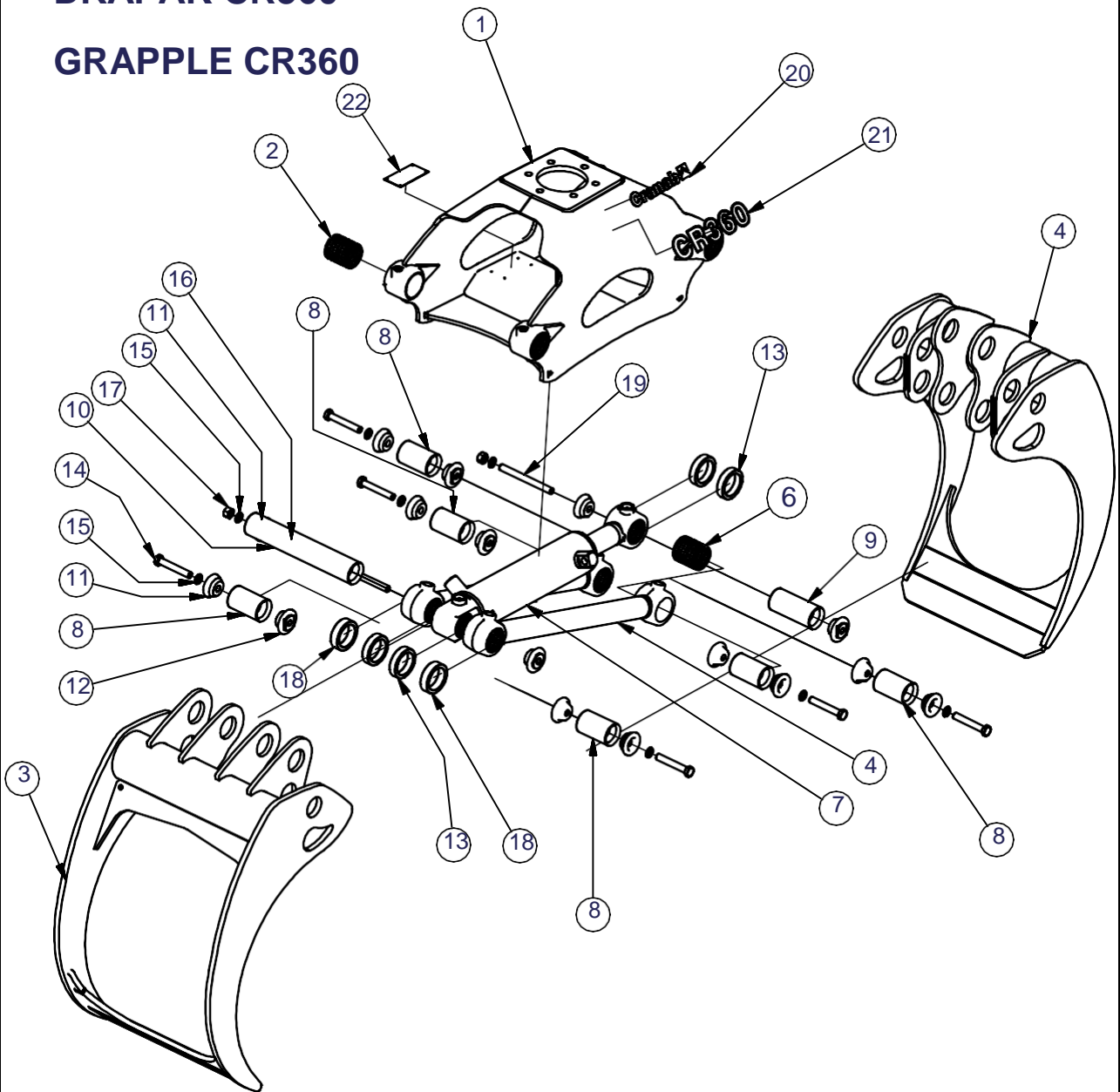
| Pos Fig | Kus Qty | Názov | Description | Rozmery | Diel č. Part. nr |
|---------|---------|-------|-------------|---------|------------------|
|---------|---------|-------|-------------|---------|------------------|

**SÚPRAVA HADÍC****HOSE KIT**

|            |            |                    |                |               |                     |
|------------|------------|--------------------|----------------|---------------|---------------------|
| 1          | 4          | ADAPTER            | ADAPTER        | 1/2"R-13/16"O | 4700809             |
| 2          | 1          | HYDRAULICKÁ HADICA | HYDRAULIC HOSE | 2 1/2 600     | 4701650             |
| 3          | 1          | HYDRAULICKÁ HADICA | HYDRAULIC HOSE | 2 1/2 500     | 4700826             |
| Pos<br>Fig | Kus<br>Qty | Názov              | Description    | Rozmery       | Diel č.<br>Part. nr |

## DRAPÁK CR360

## GRAPPLE CR360

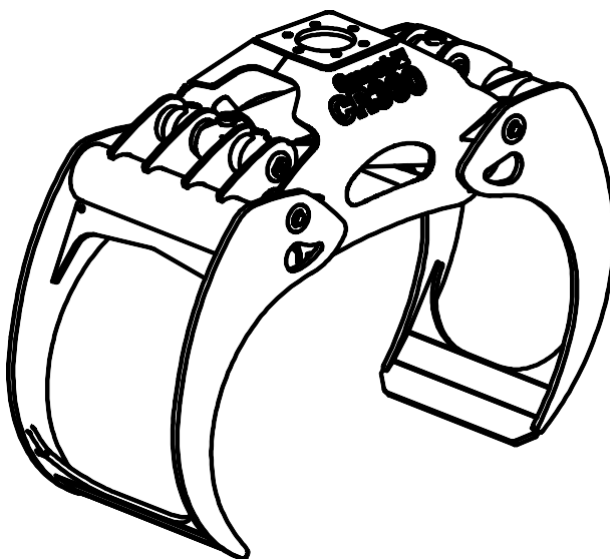


| Pos Fig | Kus Qty | Názov | Description | Rozmery | Diel č. Part. nr |
|---------|---------|-------|-------------|---------|------------------|
|---------|---------|-------|-------------|---------|------------------|



## DRAPÁK

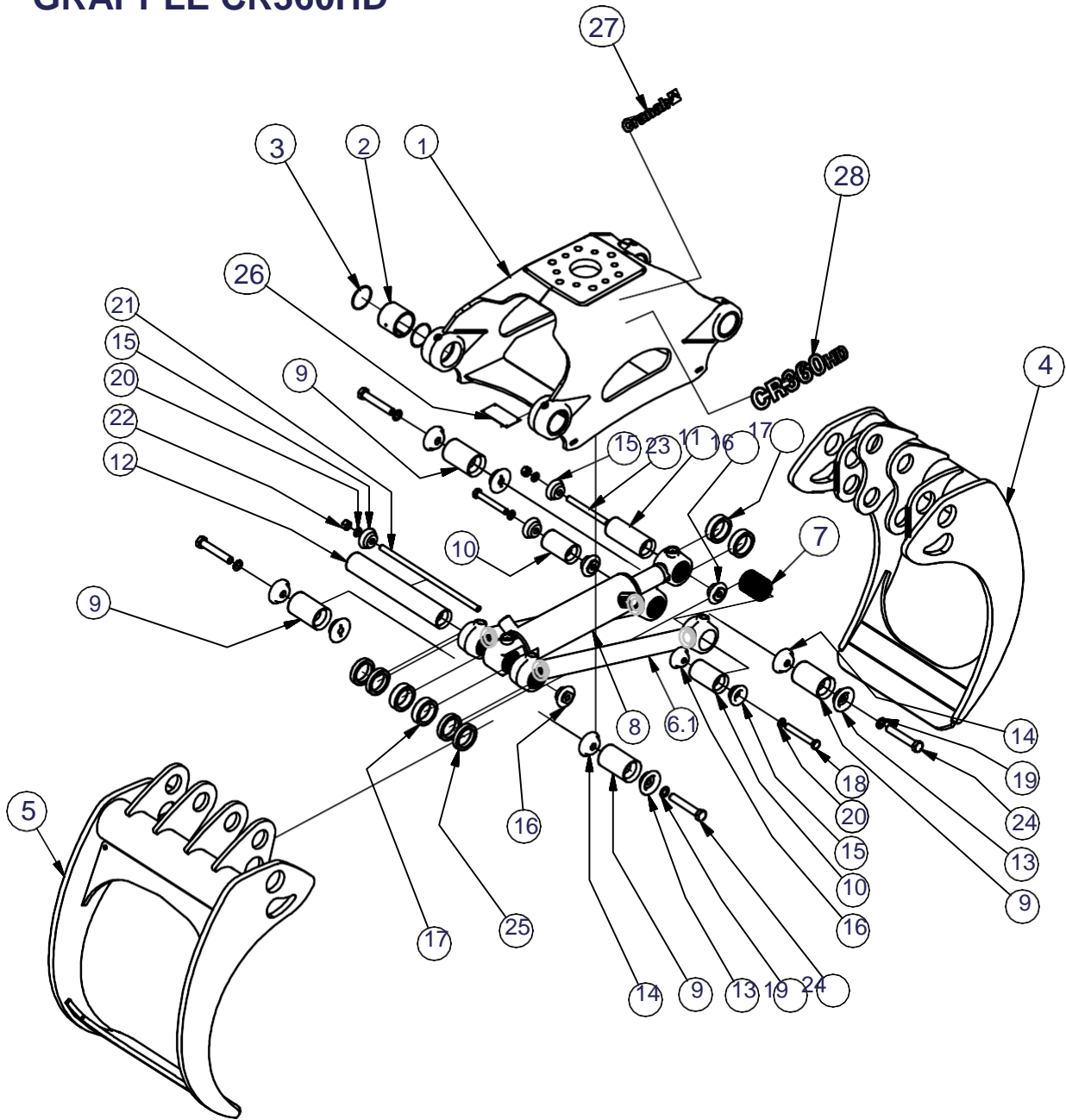
## GRAPPLE



| 1       | 1        | RÁM                  | FRAME        |                  | 1060981          |
|---------|----------|----------------------|--------------|------------------|------------------|
| 2       | 4        | PÚZDRO               | BUSHING      | 65x60x70         | 1060658          |
| 3       | 1        | ČELUSŤ VONKAJŠIA     | GRAPPLE ARM  |                  | 1061325          |
| 4       | 1        | ČELUSŤ VNÚTORNÁ      | GRAPPLE ARM  |                  | 1061326          |
| 5       | 2        | TYČKA                | BAR          | 360 / 360HD      | 1061255          |
| 6       | 4        | PÚZDRO               | BUSHING      | 65x60x70         | 1060658          |
| 7       | 1        | VALEC                | CYLINDER     |                  | 1061316          |
| 8       | 6        | ČAP EXPANDERA        | PIN EXP      | Ø60-96,5         | 1060687          |
| 9       | 1        | ČAP EXPANDERA        | PIN EXP      | Ø60-134,5        | 1060684          |
| 10      | 1        | ČAP EXPANDERA        | PIN EXP      | Ø60-346,5        | 1060682          |
| 11      | 8        | KUŽEL'               | CONE         |                  | 1060406          |
| 12      | 8        | KUŽEL'               | CONE         |                  | 1060696          |
| 13      | 4        | VYMEDZOVACÍ KRÚŽOK   | SPACER       | ø80x60x19        | 1060690          |
| 14      | 6        | SKRUTKA              | SCREW        | M6S 10.9 M16x100 | 1060695          |
| 15      | 8        | PODLOŽKA             | WASHER       | NL 17x25x3,4     | 1060568          |
| 16      | 1        | SKRUTKA              | PIN BOLT     | PS 8.8 M16x370   | 1061317          |
| 17      | 2        | MATICA               | NUT          | M6M 10 M16       | 1060430          |
| 18      | 2        | VYMEDZOVACÍ KRÚŽOK   | SPACER       | ø80x60x22        | 1060691          |
| 19      | 1        | SKRUTKA              | PIN BOLT     | PS 8.8 M16x170   | 1060694          |
| 20      | 2        | ŠTÍTOK CRANAB        | DECAL CRANAB |                  | 4700642          |
| 21      | 2        | ŠTÍTOK CR360         | DECAL CR360  |                  | 5016446          |
| 22      | 1        | IDENTIFIKAČNÝ ŠTÍTOK | ID PLATE     |                  | 4700608          |
| Pos Fig | Ku s Qty | Názov                | Description  | Rozmery          | Diel č. Part. nr |

## DRAPÁK CR360HD

## GRAPPLE CR360HD



| Pos Fig | Kus Qty | Názov | Description | Rozmery | Diel č. Part. nr |
|---------|---------|-------|-------------|---------|------------------|
|---------|---------|-------|-------------|---------|------------------|

## DRAPÁK

## GRAPPLE

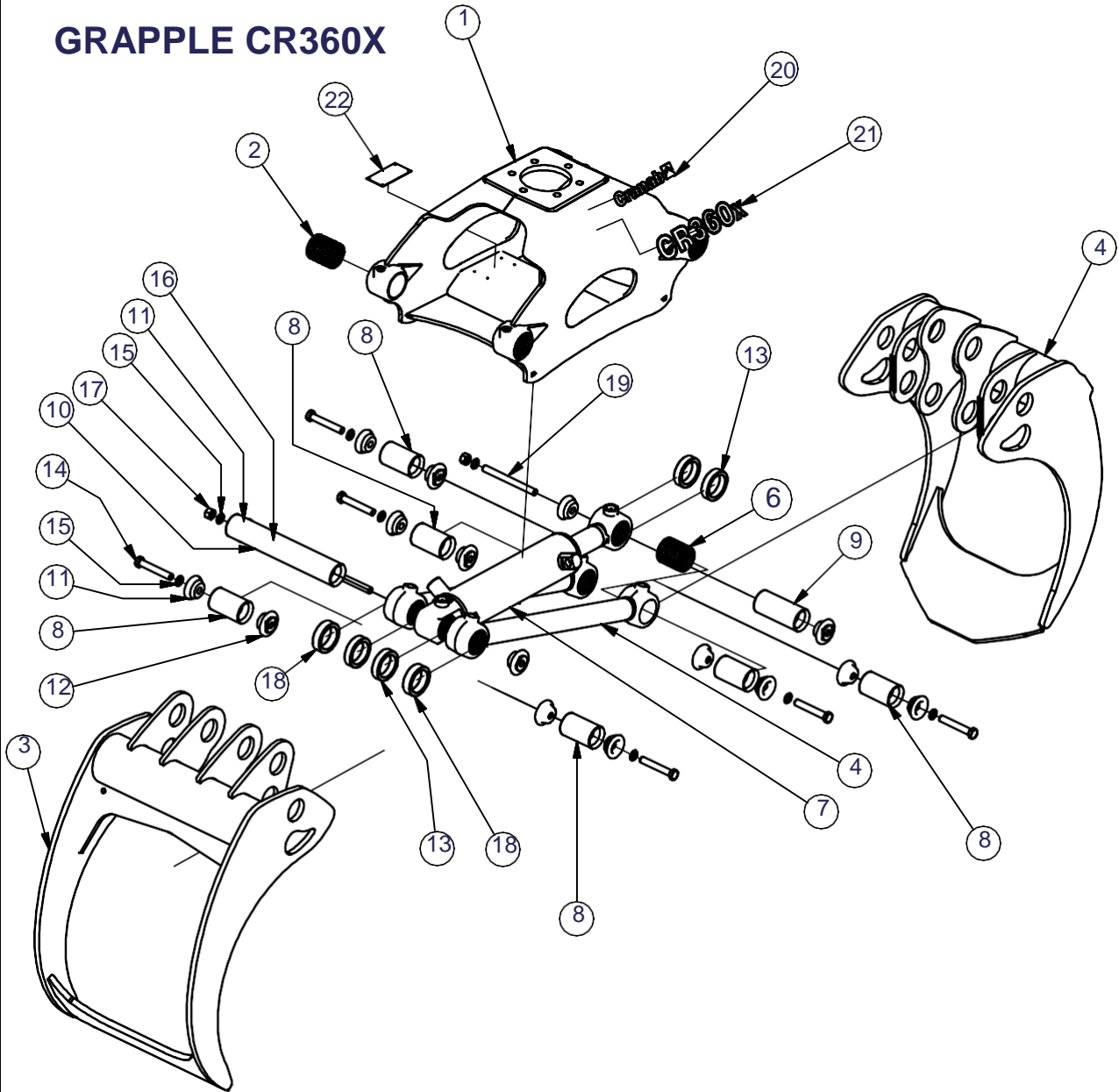


|    |   |                      |                  |         |
|----|---|----------------------|------------------|---------|
| 1  | 1 | RÁM                  | FRAME            | 1061329 |
| 2  | 4 | PÚZDRO               | BUSHING          | 1061005 |
| 3  | 8 | O-KRÚŽOK             | O-RING           | 1061010 |
| 4  | 1 | ČELUSŤ VNÚTORNÁ      | GRAPPLE ARM      | 1061330 |
| 5  | 1 | ČELUSŤ VONKAJŠIA     | GRAPPLE ARM      | 1061331 |
| 6  | 2 | TYČKA                | BAR              | 1061255 |
| 7  | 2 | PÚZDRO               | BUSHING          | 1060658 |
| 8  | 1 | VALEC                | CYLINDER         | 1061316 |
| 9  | 4 | ČAP EXPANDERA        | PIN EXP          | 1060949 |
| 10 | 2 | ČAP EXPANDERA        | PIN EXP          | 1060686 |
| 11 | 1 | ČAP EXPANDERA        | PIN EXP          | 1060683 |
| 12 | 1 | ČAP EXPANDERA        | PIN EXP          | 1060681 |
| 13 | 4 | KUŽEL'               | CONE             | 1060947 |
| 14 | 4 | KUŽEL'               | CONE             | 1060948 |
| 15 | 4 | KUŽEL'               | CONE             | 1060406 |
| 16 | 4 | KUŽEL'               | CONE             | 1060696 |
| 17 | 4 | VYMEDZOVACÍ KRÚŽOK   | SPACER           | 1060950 |
| 18 | 2 | SKRUTKA              | SCREW            | 1060792 |
| 19 | 4 | PODLOŽKA NORD-LOCK   | NORD-LOCK WASHER | 1060959 |
| 20 | 4 | PODLOŽKA             | WASHER           | 1060568 |
| 21 | 1 | ČAP                  | PIN BOLT         | 1060415 |
| 22 | 2 | MATICA               | NUT              | 1060430 |
| 23 | 1 | ČAP                  | PIN BOLT         | 1060694 |
| 24 | 4 | SKRUTKA              | SCREW            | 1060946 |
| 25 | 4 | VYMEDZOVACÍ KRÚŽOK   | SPACER           | 1060689 |
| 26 | 1 | IDENTIFIKAČNÝ ŠTÍTOK | ID PLATE         | 4700608 |
| 27 | 2 | ŠTÍTOK CRANAB        | DECAL CRANAB     | 4700642 |
| 28 | 2 | ŠTÍTOK CR360HD       | DECAL CR360HD    | 5016447 |

| Pos Fig | Ku s Qty | Názov | Description | Rozmery | Diel č. Part. nr |
|---------|----------|-------|-------------|---------|------------------|
|---------|----------|-------|-------------|---------|------------------|

## DRAPÁK CR360X

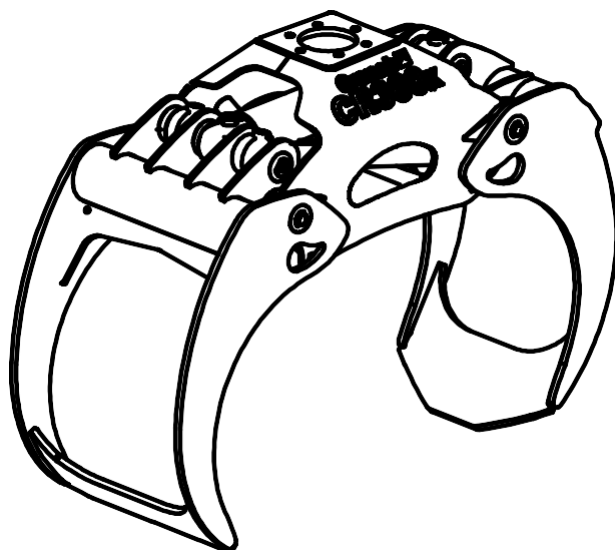
## GRAPPLE CR360X



| Pos Fig | Kus Qty | Názov | Description | Rozmery | Diel č. Part. nr |
|---------|---------|-------|-------------|---------|------------------|
|---------|---------|-------|-------------|---------|------------------|

## DRAPÁK

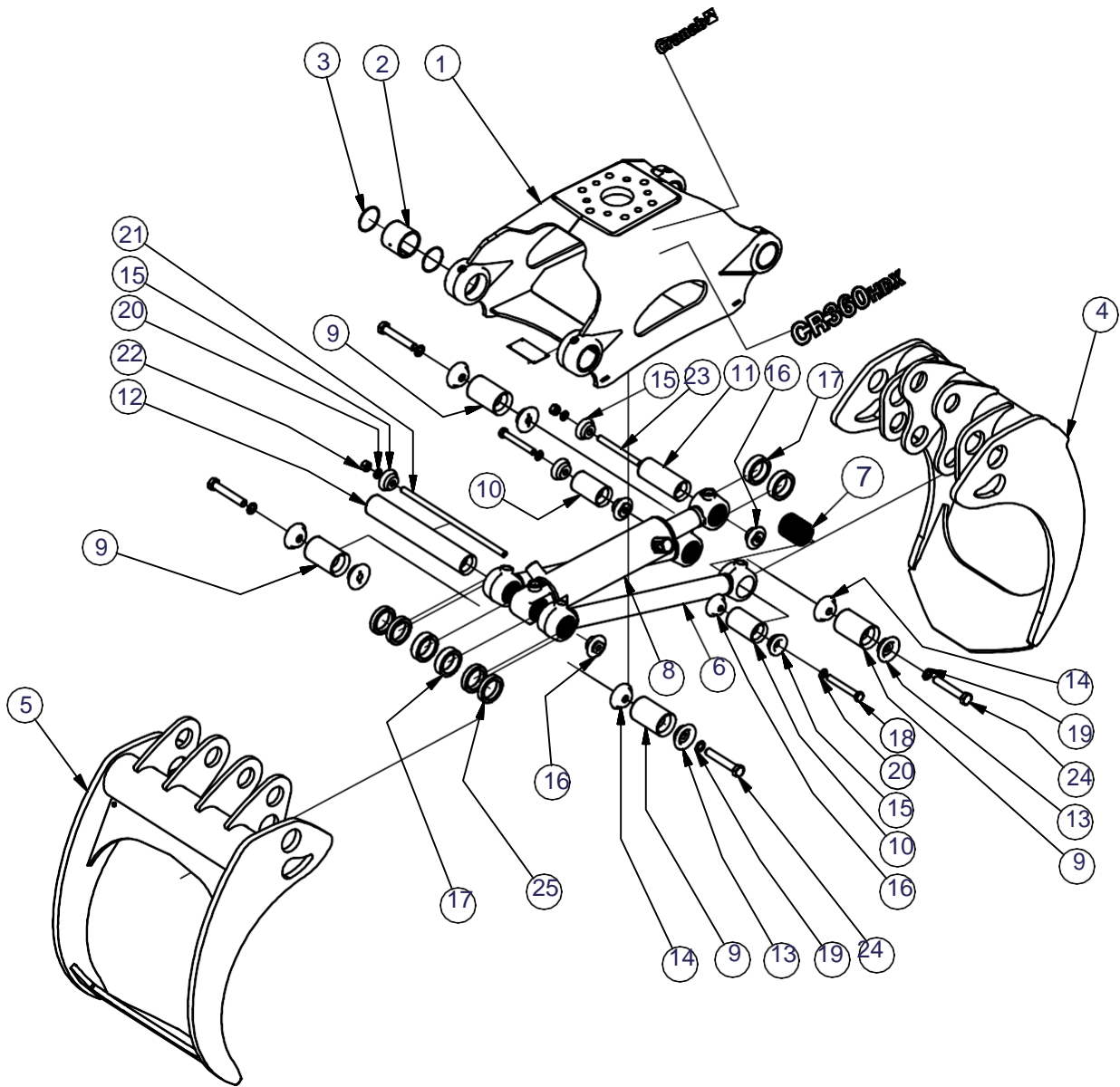
## GRAPPLE



| 1       | 1        | RÁM                  | FRAME        |                  | 1060981          |
|---------|----------|----------------------|--------------|------------------|------------------|
| 2       | 4        | PÚZDRO               | BUSHING      | 65x60x70         | 1060658          |
| 3       | 1        | ČELUSŤ VONKAJŠIA     | GRAPPLE ARM  |                  | 4703300          |
| 4       | 1        | ČELUSŤ VNÚTORNÁ      | GRAPPLE ARM  |                  | 4703301          |
| 5       | 2        | TYČKA                | BAR          | 360 / 360HD      | 1061255          |
| 6       | 4        | PÚZDRO               | BUSHING      | 65x60x70         | 1060658          |
| 7       | 1        | VALEC                | CYLINDER     |                  | 1061316          |
| 8       | 6        | ČAP EXPANDERA        | PIN EXP      | Ø60-96,5         | 1060687          |
| 9       | 1        | ČAP EXPANDERA        | PIN EXP      | Ø60-134,5        | 1060684          |
| 10      | 1        | ČAP EXPANDERA        | PIN EXP      | Ø60-346,5        | 1060682          |
| 11      | 8        | KUŽEL'               | CONE         |                  | 1060406          |
| 12      | 8        | KUŽEL'               | CONE         |                  | 1060696          |
| 13      | 4        | VYMEDZOVACÍ KRÚŽOK   | SPACER       | ø80x60x19        | 1060690          |
| 14      | 6        | SKRUTKA              | SCREW        | M6S 10.9 M16x100 | 1060695          |
| 15      | 8        | PODLOŽKA             | WASHER       | NL 17x25x3,4     | 1060568          |
| 16      | 1        | VYMEDZOVACÍ KRÚŽOK   | PIN BOLT     | PS 8.8 M16x370   | 1061317          |
| 17      | 2        | MATICA               | NUT          | M6M 10 M16       | 1060430          |
| 18      | 2        | ROZPIERKA            | SPACER       | ø80x60x22        | 1060691          |
| 19      | 1        | VYMEDZOVACÍ KRÚŽOK   | PIN BOLT     | PS 8.8 M16x170   | 1060694          |
| 20      | 2        | ŠTÍTOK CRANAB        | DECAL CRANAB |                  | 4700642          |
| 21      | 2        | ŠTÍTOK CR360X        | DECAL CR360X |                  | 4701869          |
| 22      | 1        | IDENTIFIKAČNÝ ŠTÍTOK | ID PLATE     |                  | 4700608          |
| Pos Fig | Ku s Qty | Názov                | Description  | Rozmery          | Diel č. Part. nr |

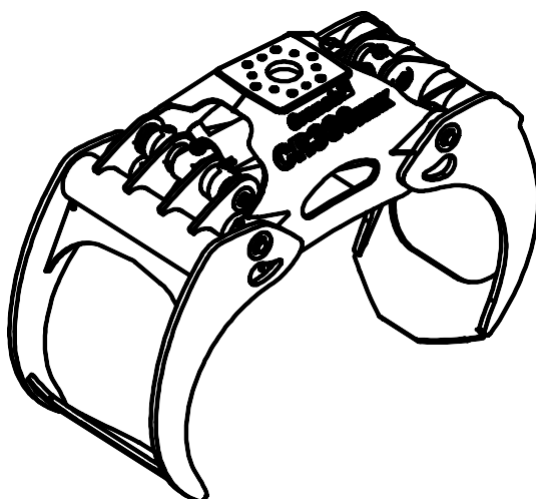
## DRAPÁK CR360HDX

## GRAPPLE CR360HDX



| Pos Fig | Kus Qty | Názov | Description | Rozmery | Diel č. Part. nr |
|---------|---------|-------|-------------|---------|------------------|
|---------|---------|-------|-------------|---------|------------------|

## DRAPÁK GRAPPLE

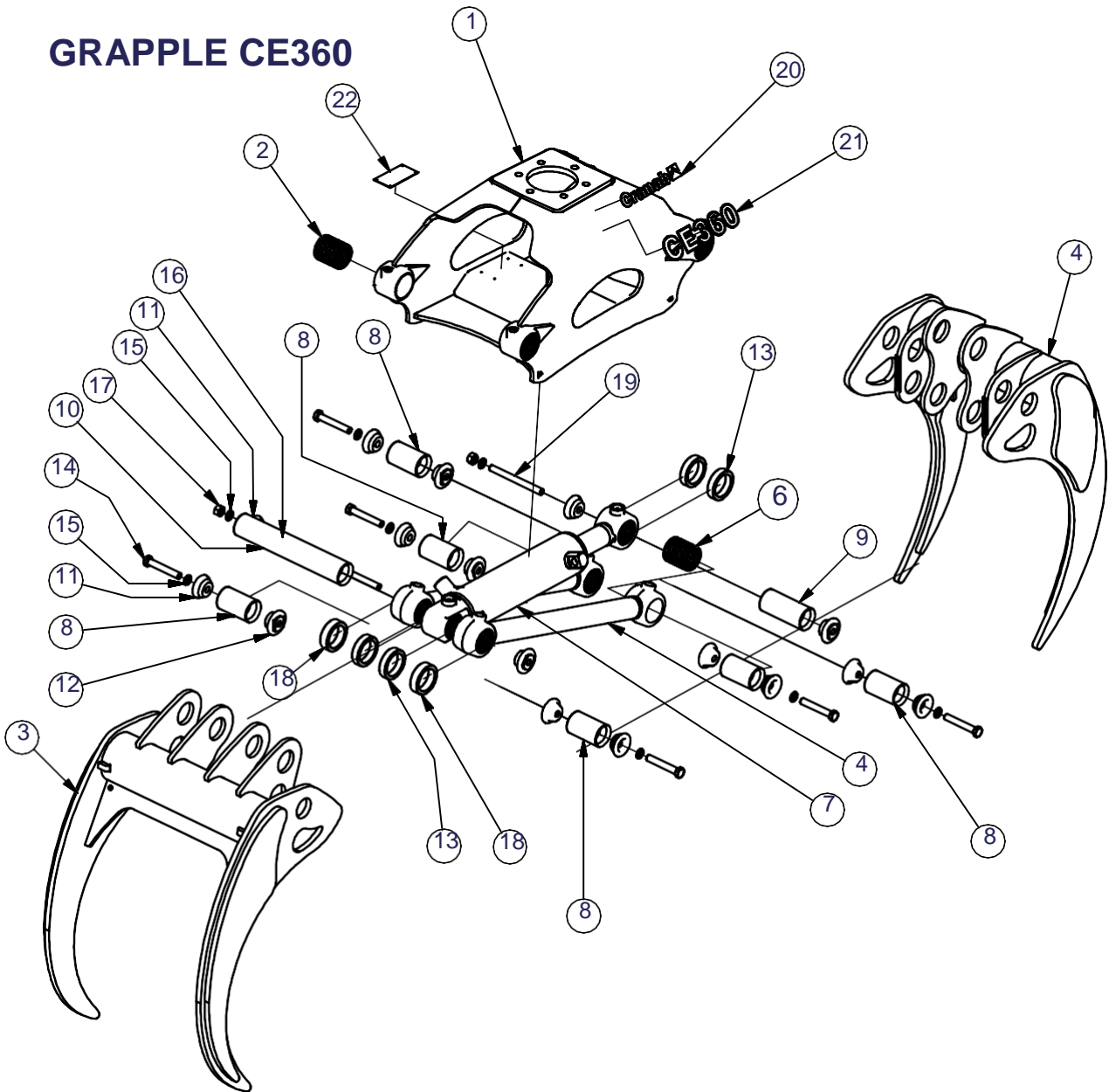


|    |   |                      |                  |         |
|----|---|----------------------|------------------|---------|
| 1  | 1 | RÁM                  | FRAME            | 1061329 |
| 2  | 4 | PÚZDRO               | BUSHING          | 1061005 |
| 3  | 8 | O-KRÚŽOK             | O-RING           | 1061010 |
| 4  | 1 | ČELUSŤ VNÚTORNÁ      | GRAPPLE ARM      | 4703266 |
| 5  | 1 | ČELUSŤ VONKAJŠIA     | GRAPPLE ARM      | 4703267 |
| 6  | 2 | TYČKA                | BAR              | 1061255 |
| 7  | 4 | PÚZDRO               | BUSHING          | 1060658 |
| 8  | 1 | VALEC                | CYLINDER         | 1061316 |
| 9  | 4 | ČAP EXPANDERA        | PIN EXP          | 1060949 |
| 10 | 2 | ČAP EXPANDERA        | PIN EXP          | 1060686 |
| 11 | 1 | ČAP EXPANDERA        | PIN EXP          | 1060683 |
| 12 | 1 | ČAP EXPANDERA        | PIN EXP          | 1060681 |
| 13 | 4 | KUŽEL'               | CONE             | 1060947 |
| 14 | 4 | KUŽEL'               | CONE             | 1060948 |
| 15 | 4 | KUŽEL'               | CONE             | 1060406 |
| 16 | 4 | KUŽEL'               | CONE             | 1060696 |
| 17 | 4 | VYMEDZOVACÍ KRÚŽOK   | SPACER           | 1060950 |
| 18 | 2 | SKRUTKA              | SCREW            | 1060792 |
| 19 | 4 | PODLOŽKA NORD-LOCK   | NORD-LOCK WASHER | 1060959 |
| 20 | 4 | PODLOŽKA             | WASHER           | 1060568 |
| 21 | 1 | ČAP                  | PIN BOLT         | 1060415 |
| 22 | 2 | MATICA               | NUT              | 1060430 |
| 23 | 1 | ČAP                  | PIN BOLT         | 1060694 |
| 24 | 4 | SKRUTKA              | SCREW            | 1060946 |
| 25 | 4 | VYMEDZOVACÍ KRÚŽOK   | SPACER           | 1060689 |
| 26 | 2 | ŠTÍTOK CR360HDX      | DECAL CR360HDX   | 4701889 |
| 27 | 1 | IDENTIFIKAČNÝ ŠTÍTOK | ID PLATE         | 4700608 |
| 28 | 2 | ŠTÍTOK CRANAB        | DECAL CRANAB     | 4700642 |

| Pos Fig | Ku s Qty | Názov | Description | Rozmery | Diel č. Part. nr |
|---------|----------|-------|-------------|---------|------------------|
|---------|----------|-------|-------------|---------|------------------|

## DRAPÁK CE360

## GRAPPLE CE360

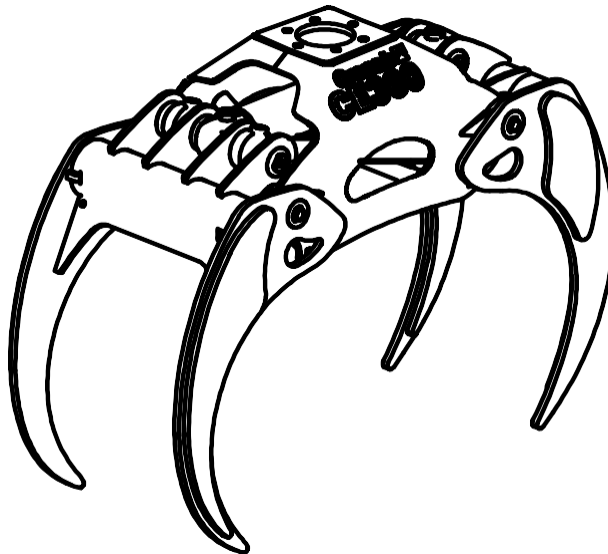


| Pos Fig | Kus Qty | Názov | Description | Rozmery | Diel č. Part. nr |
|---------|---------|-------|-------------|---------|------------------|
|---------|---------|-------|-------------|---------|------------------|



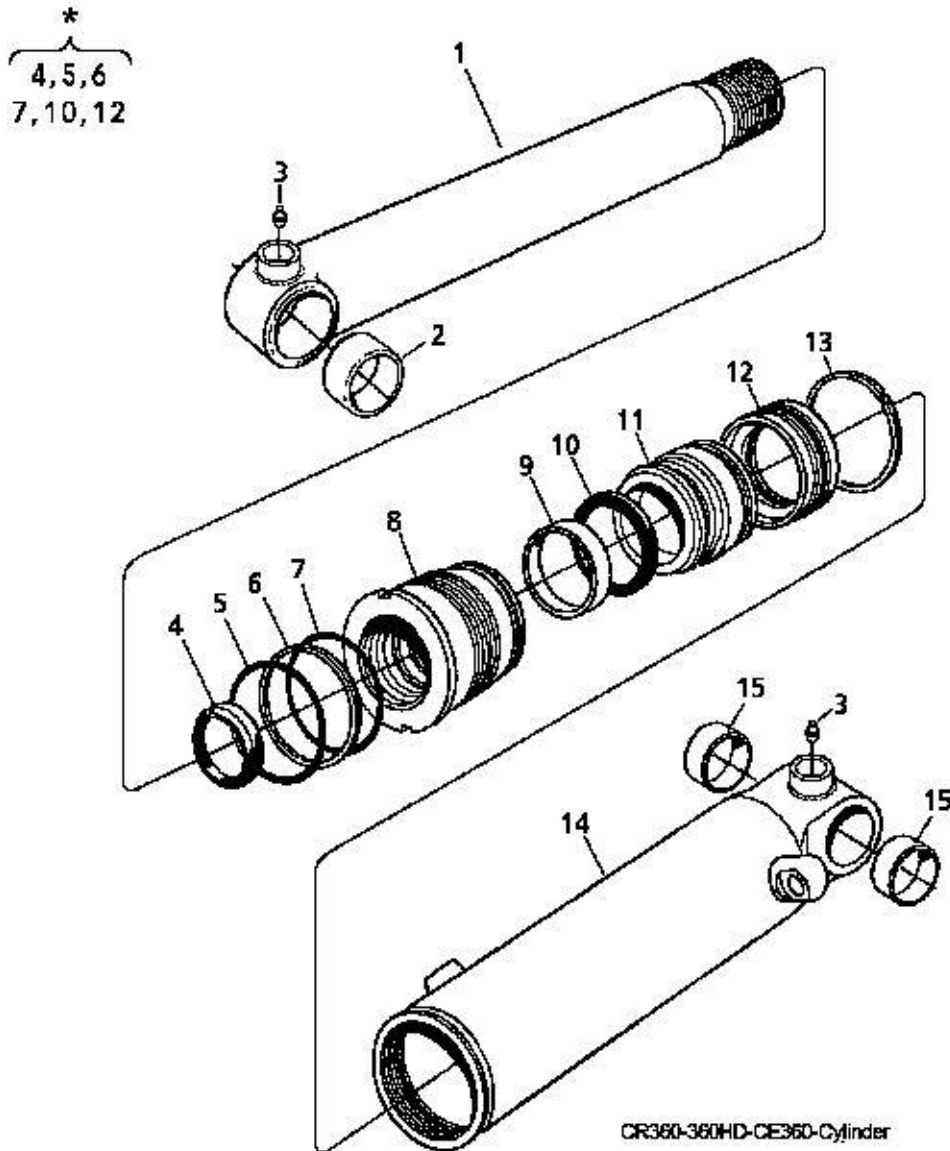
## DRAPÁK

## GRAPPLE



| 1       | 1        | RÁM                  | FRAME        |                  | 1060981          |
|---------|----------|----------------------|--------------|------------------|------------------|
| 2       | 4        | PÚZDRO               | BUSHING      | 65x60x70         | 1060658          |
| 3       | 1        | ČELUSŤ VONKAJŠIA     | GRAPPLE ARM  |                  | 1061327          |
| 4       | 1        | ČELUSŤ VNÚTORNÁ      | GRAPPLE ARM  |                  | 1061328          |
| 5       | 2        | TYČKA                | BAR          | 360 / 360HD      | 1061255          |
| 6       | 4        | PÚZDRO               | BUSHING      | 65x60x70         | 1060658          |
| 7       | 1        | VALEC                | CYLINDER     |                  | 1061316          |
| 8       | 6        | ČAP EXPANDERA        | PIN EXP      | Ø60-96,5         | 1060687          |
| 9       | 1        | ČAP EXPANDERA        | PIN EXP      | Ø60-134,5        | 1060684          |
| 10      | 1        | ČAP EXPANDERA        | PIN EXP      | Ø60-346,5        | 1060682          |
| 11      | 8        | KUŽEL'               | CONE         |                  | 1060406          |
| 12      | 8        | KUŽEL'               | CONE         |                  | 1060696          |
| 13      | 4        | VYMEDZOVACÍ KRÚŽOK   | SPACER       | ø80x60x19        | 1060690          |
| 14      | 6        | SKRUTKA              | SCREW        | M6S 10.9 M16x100 | 1060695          |
| 15      | 8        | PODLOŽKA             | WASHER       | NL 17x25x3,4     | 1060568          |
| 16      | 1        | ČAP                  | PIN BOLT     | PS 8.8 M16x370   | 1061317          |
| 17      | 2        | MATICA               | NUT          | M6M 10 M16       | 1060430          |
| 18      | 2        | VYMEDZOVACÍ KRÚŽOK   | SPACER       | ø80x60x22        | 1060691          |
| 19      | 1        | ČAP                  | PIN BOLT     | PS 8.8 M16x170   | 1060694          |
| 20      | 2        | ŠTÍTOK CRANAB        | DECAL CRANAB |                  | 4700642          |
| 21      | 2        | ŠTÍTOK CE360         | DECAL CE360  |                  | 5016441          |
| 22      | 1        | IDENTIFIKAČNÝ ŠTÍTOK | ID PLATE     |                  | 4700608          |
| Pos Fig | Ku s Qty | Názov                | Description  | Rozmery          | Diel č. Part. nr |

## VALEC CYLINDER



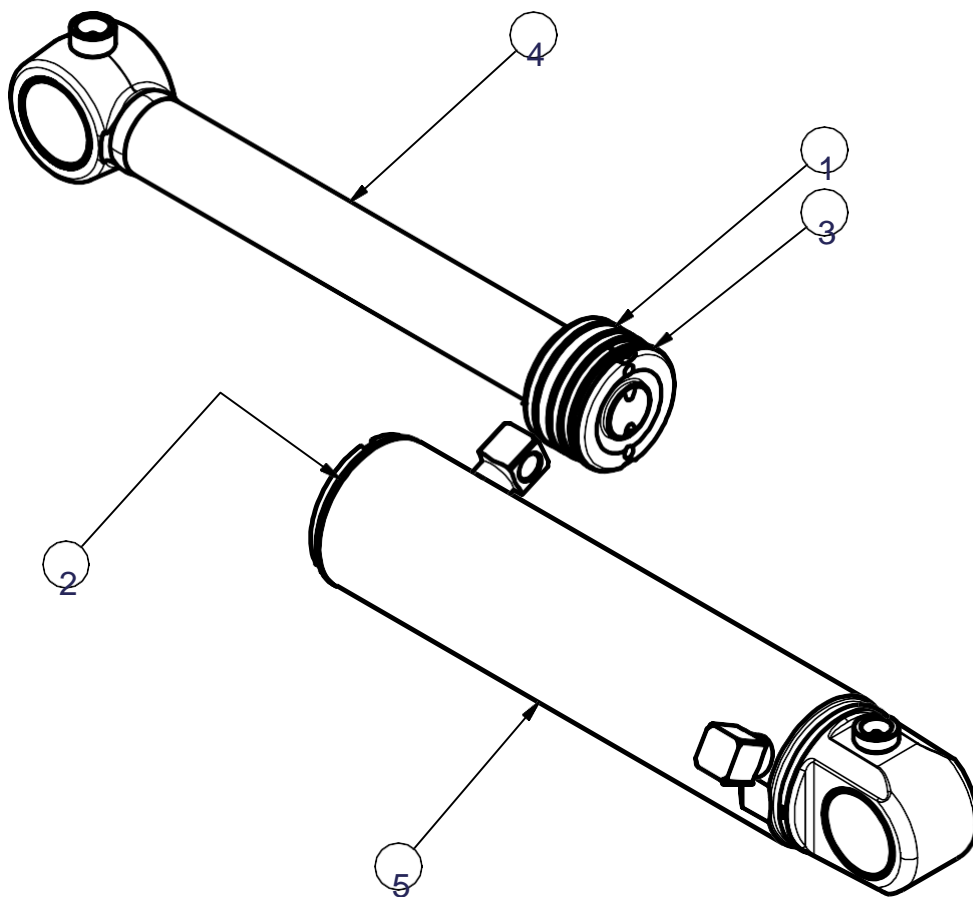
| Pos Fig | Kus Qty | Názov | Description | Rozmery | Diel č. Part. nr |
|---------|---------|-------|-------------|---------|------------------|
|---------|---------|-------|-------------|---------|------------------|

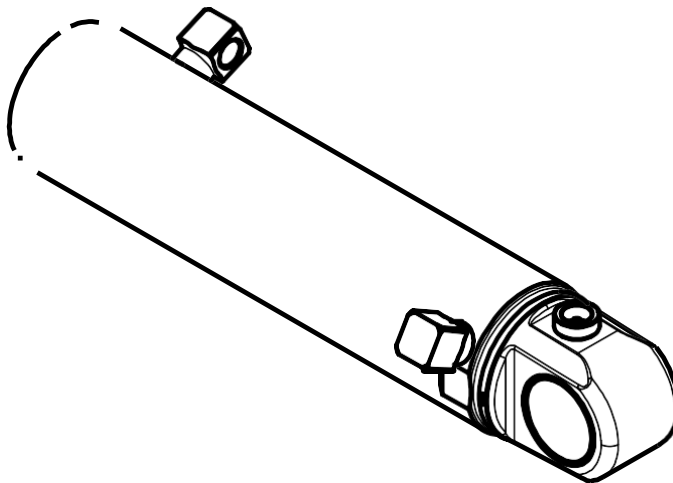
**VALEC****CYLINDER**

|         |         |                  |                    |           |                  |
|---------|---------|------------------|--------------------|-----------|------------------|
| 1       | 1       | PIESTNICA        | PISTON ROD         |           | 1061339          |
| 2       | 1       | PÚZDRO           | BUSHING            | ø65/60-70 | 1060658          |
| 3       | 1       | MAZNICA          | LUBRICATING NIPPLE |           | 1060360          |
| 4       | 1       | *                | *                  |           |                  |
| 5       | 1       | *                | *                  |           |                  |
| 6       | 1       | *                | *                  |           |                  |
| 7       | 1       | *                | *                  |           |                  |
| 8       | 1       | HORNÁ MATICA     | TOP NUT            |           | 1061340          |
| 9       | 1       | VODIDLO          | GUIDE              |           | 1061320          |
| 10      | 1       | *                | *                  |           |                  |
| 11      | 1       | PIEST            | PISTON             |           | 1061341          |
| 12      | 1       | *                | *                  |           |                  |
| 13      | 1       | PIESTNY KRÚŽOK   | PISTON RING        |           | 1061342          |
| 14      | 1       | VALEC            | CYLINDER           |           | 1061343          |
| 15      | 1       | PÚZDRO           | BUSHING            | ø65/60-70 | 1060658          |
| *       | -       | SÚPRAVA TESNENIA | SEAL KIT           |           | 1061344          |
| Pos Fig | Kus Qty | Názov            | Description        | Rozmery   | Diel č. Part. nr |

**VALEC 90/56-321**

**CYLINDER 90/56-321**

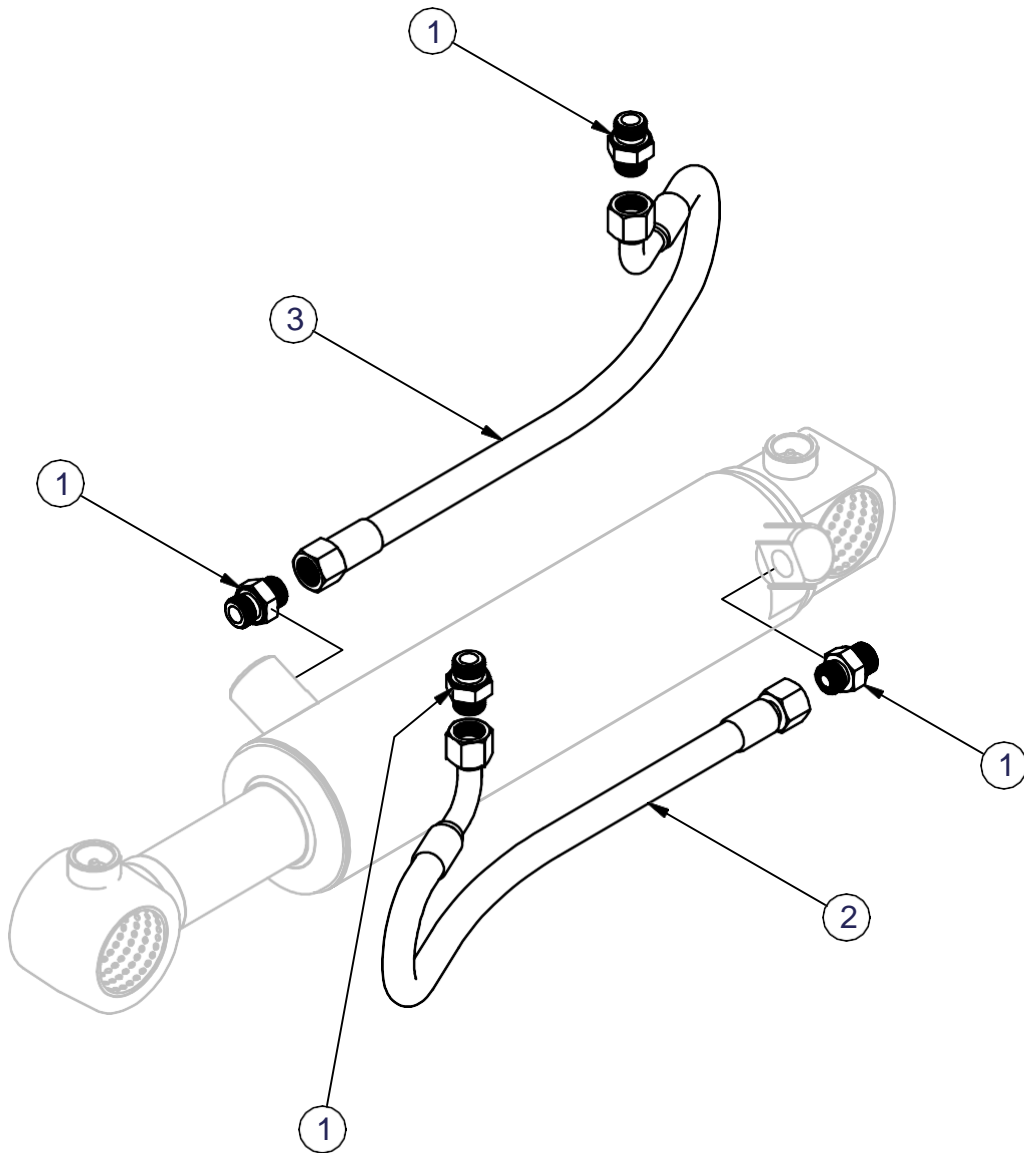


**VALEC 90/56-321****CYLINDER**

| 1       | 1       | SÚPRAVA TESNENIA | SEAL KIT    | 90/56   | 4708434          |
|---------|---------|------------------|-------------|---------|------------------|
| 2       | 1       | HORNÁ MATICA     | TOP NUT     |         | 4708430          |
| 3       | 1       | PIEST            | PISTON      |         | 4708431          |
| 4       | 1       | PIESTNICA        | PISTON ROD  |         | 4708432          |
| 5       | 1       | VALEC            | CYLINDER    |         | 4708433          |
| Pos Fig | Kus Qty | Názov            | Description | Rozmery | Diel č. Part. nr |

## SÚPRAVA HADÍC CR360

## HOSE KIT CR360



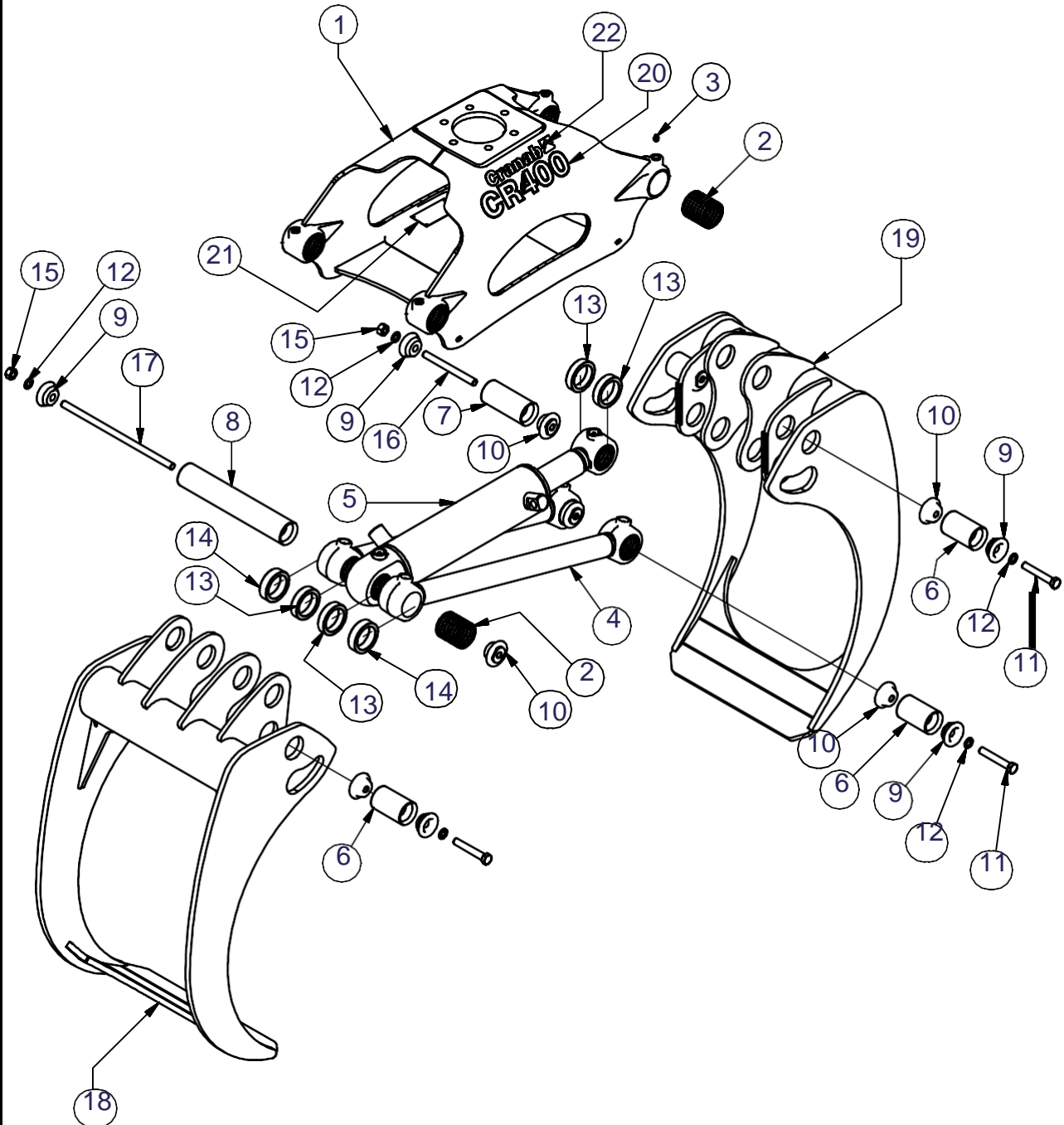
| Pos Fig | Kus Qty | Názov | Description | Rozmery | Diel č. Part. nr |
|---------|---------|-------|-------------|---------|------------------|
|---------|---------|-------|-------------|---------|------------------|

**SÚPRAVA HADÍC****HOSE KIT**

|            |            |                    |                |               |                     |
|------------|------------|--------------------|----------------|---------------|---------------------|
| 1          | 4          | ADAPTER            | ADAPTER        | 1/2"R-13/16"O | 4700809             |
| 2          | 1          | HYDRAULICKÁ HADICA | HYDRAULIC HOSE | 2 1/2 700     | 4700825             |
| 3          | 1          | HYDRAULICKÁ HADICA | HYDRAULIC HOSE | 2 1/2 500     | 4700826             |
| Pos<br>Fig | Kus<br>Qty | Názov              | Description    | Rozmery       | Diel č.<br>Part. nr |

## DRAPÁK CR400

## GRAPPLE CR400



| Pos Fig | Kus Qty | Názov | Description | Rozmery | Diel č. Part. nr |
|---------|---------|-------|-------------|---------|------------------|
|---------|---------|-------|-------------|---------|------------------|



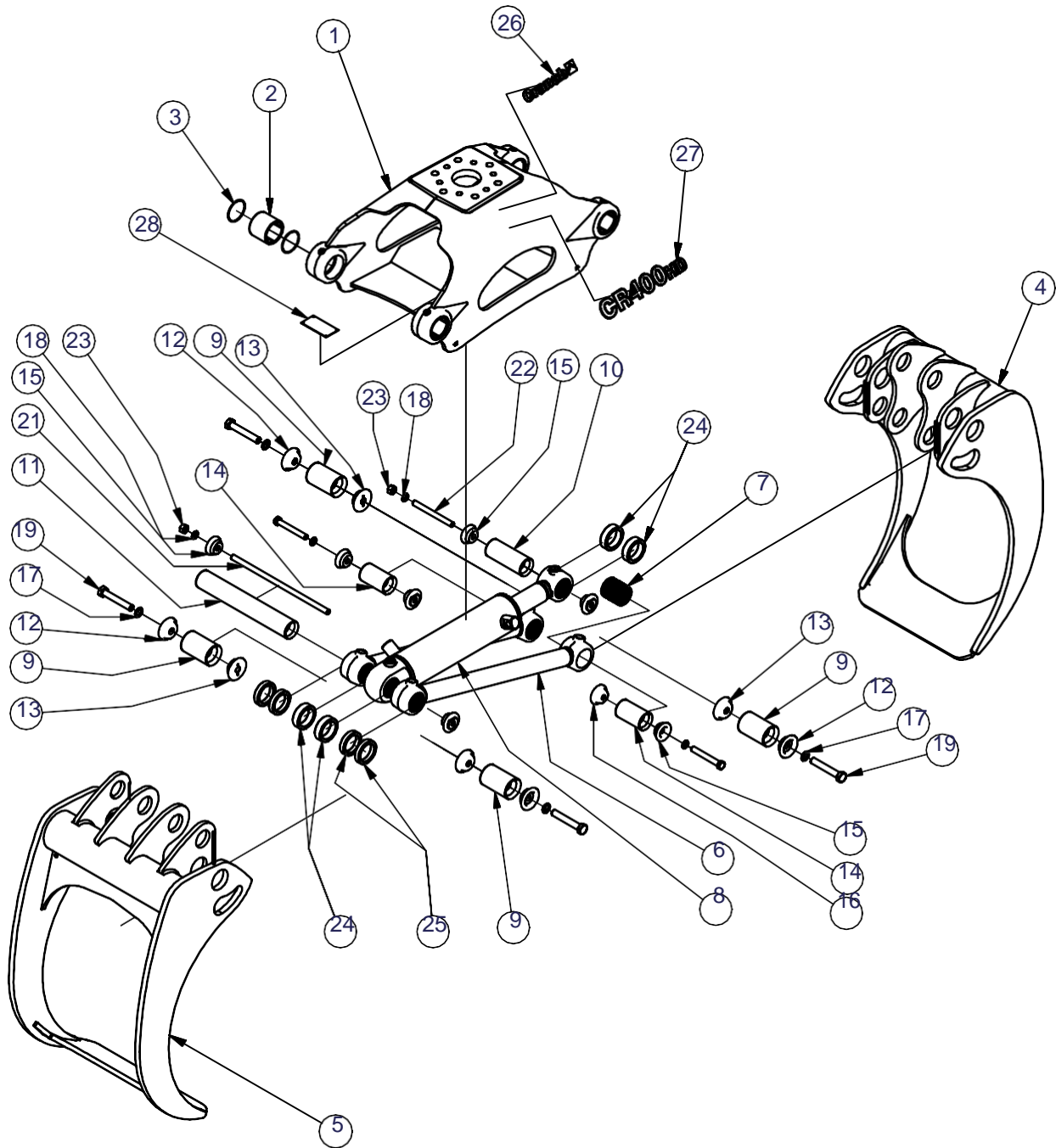
## DRAPÁK

## GRAPPLE

|         |          |                      |                  |                      |                  |
|---------|----------|----------------------|------------------|----------------------|------------------|
| 1       | 1        | RÁM                  | FRAME            |                      | 1060999          |
| 2       | 8        | PÚZDRO               | BUSHING          | 65x60x70             | 1060658          |
| 3       | 8        | MAZNICA              | LUBRICATE NIPPLE | AHKR 1/8             | 1060360          |
| 4       | 2        | TYČKA                | BAR              |                      | 1061000          |
| 5       | 1        | VALEC                | CYLINDER         | CYL B5 DA 100/63-349 | 1060951          |
| 6       | 6        | ČAP EXPANDERA        | PIN EXP          | Ø60-96,5             | 1060687          |
| 7       | 1        | ČAP EXPANDERA        | PIN EXP          | Ø60-134,5            | 1060684          |
| 8       | 1        | ČAP EXPANDERA        | PIN EXP          | Ø60-346,5            | 1060682          |
| 9       | 8        | KUŽEL'               | CONE             |                      | 1060406          |
| 10      | 8        | KUŽEL'               | CONE             |                      | 1060696          |
| 11      | 6        | SKRUTKA              | SCREW            | M6S 10.9 M16x100     | 1060695          |
| 12      | 8        | PODLOŽKA             | WASHER           | NL 17x25x3,4         | 1060568          |
| 13      | 4        | VYMEDZOVACÍ KRÚŽOK   | SPACER           | ø80x60x19            | 1060690          |
| 14      | 2        | VYMEDZOVACÍ KRÚŽOK   | SPACER           | ø80x60x22            | 1060691          |
| 15      | 2        | MATICA               | NUT              | M6M 10 M16           | 1060430          |
| 16      | 1        | ČAP                  | PIN BOLT         | PS 8.8 M16x170       | 1060694          |
| 17      | 1        | ČAP                  | PIN BOLT         | PS 8.8 M16x370       | 1061317          |
| 18      | 1        | ČEL'USŤ VONKAJŠIA    | CLAW OUTER       |                      | 1061336          |
| 19      | 1        | ČEL'USŤ VNÚTORNÁ     | CLAW INNER       |                      | 1061337          |
| 20      | 2        | ŠTÍTOK CR400         | DECAL CR400      |                      | 5016448          |
| 21      | 1        | IDENTIFIKAČNÝ ŠTÍTOK | ID PLATE         |                      | 4700608          |
| 22      | 2        | ŠTÍTOK CRANAB        | DECAL CRANAB     |                      | 4700642          |
| Pos Fig | Ku s Qty | Názov                | Description      | Rozmery              | Diel č. Part. nr |

## DRAPÁK CR400HD

## GRAPPLE CR400HD



| Pos Fig | Kus Qty | Názov | Description | Rozmery | Diel č. Part. nr |
|---------|---------|-------|-------------|---------|------------------|
|---------|---------|-------|-------------|---------|------------------|

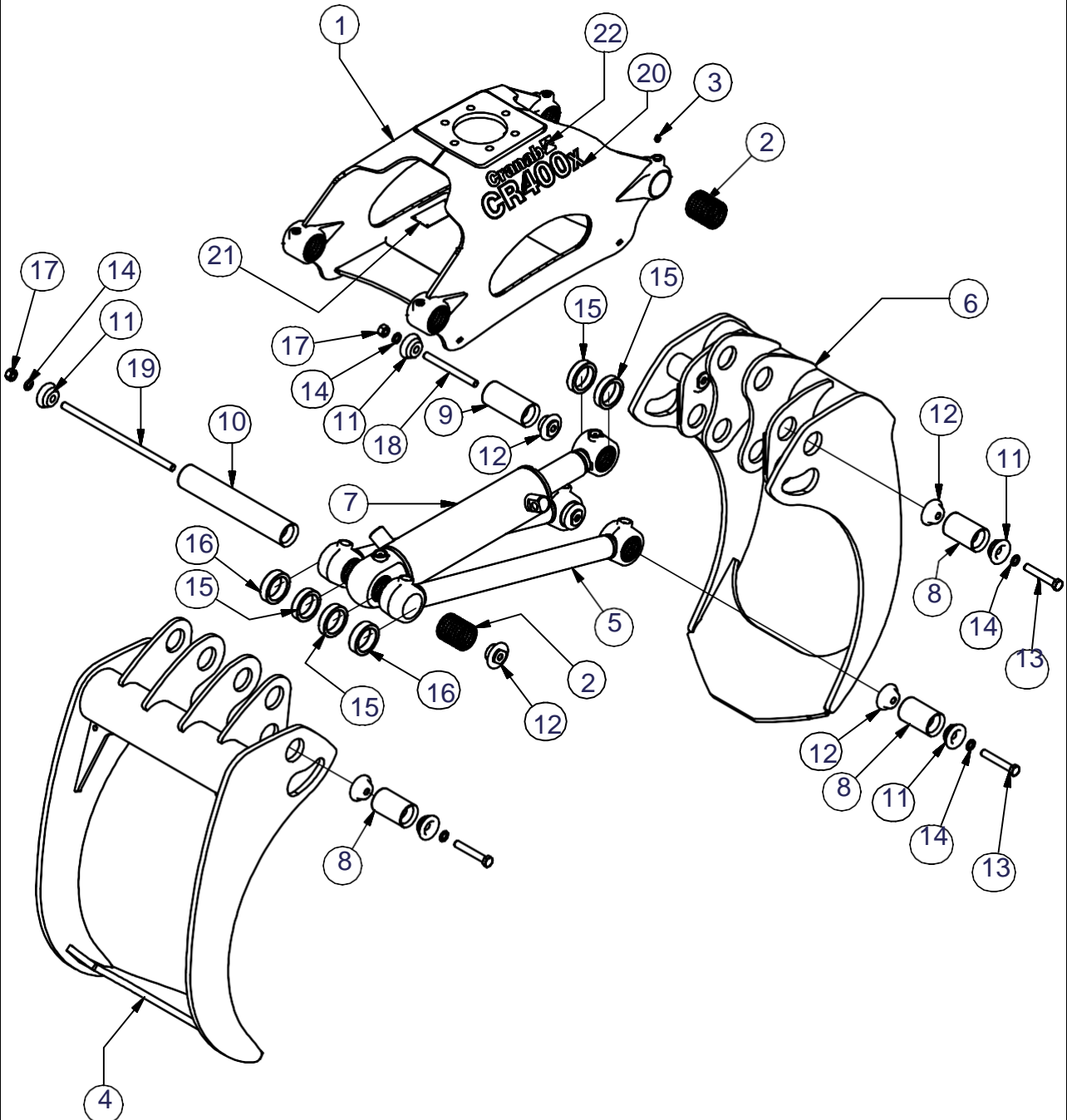
## DRAPÁK GRAPPLE



| 1       | 1       | RÁM                  | FRAME            |                      | 1061338          |
|---------|---------|----------------------|------------------|----------------------|------------------|
| 2       | 4       | PÚZDRO               | BUSHING          |                      | 1061005          |
| 3       | 8       | O-KRÚŽOK             | O-RING           | 69x3                 | 1061010          |
| 4       | 1       | ČELUSŤ VNÚTORNÁ      | GRAPPLE ARM      |                      | 1061334          |
| 5       | 1       | ČELUSŤ VONKAJŠIA     | GRAPPLE ARM      |                      | 1061335          |
| 6       | 2       | TYČKA                | BAR              |                      | 1061000          |
| 7       | 4       | PÚZDRO               | BUSHING          | 65x60x70             | 1060658          |
| 8       | 1       | VALEC                | CYLINDER         | CYL B5 DA 100/63-349 | 1060951          |
| 9       | 4       | ČAP EXPANDERA        | PIN EXP          | Ø70-110              | 1060949          |
| 10      | 1       | ČAP EXPANDERA        | PIN EXP          | Ø60-152              | 1060683          |
| 11      | 1       | ČAP EXPANDERA        | PIN EXP          | Ø60-392              | 1060681          |
| 12      | 4       | KUŽEL'               | CONE             |                      | 1060947          |
| 13      | 4       | KUŽEL'               | CONE             |                      | 1060948          |
| 14      | 2       | PIN EXP              | PIN EXP          | Ø60-104              | 1060686          |
| 15      | 4       | KUŽEL'               | CONE             |                      | 1060406          |
| 16      | 4       | KUŽEL'               | CONE             |                      | 1060696          |
| 17      | 4       | PODLOŽKA NORD-LOCK   | NORD-LOCK WASHER | NL 21,4x30,7x3,4     | 1060959          |
| 18      | 4       | PODLOŽKA             | WASHER           | NL 17x25x3,4         | 1060568          |
| 19      | 4       | SKRUTKA              | SCREW            | M6S 10.9 M20x120     | 1060946          |
| 20      | 2       | SKRUTKA              | SCREW            | M6S 10.9 M16x120     | 1060792          |
| 21      | 1       | ČAP                  | PIN BOLT         | PS 10.9 M16x422      | 1060415          |
| 22      | 1       | ČAP                  | PIN BOLT         | PS 8.8 M16x170       | 1060694          |
| 23      | 2       | MATICA               | NUT              | M6M 10 M16           | 1060430          |
| 24      | 4       | VYMEDZOVACÍ KRÚŽOK   | SPACER           | ø80x60x23            | 1060950          |
| 25      | 4       | VYMEDZOVACÍ KRÚŽOK   | SPACER           | ø80x60x16            | 1060689          |
| 26      | 2       | ŠTÍTOK CRANAB        | DECAL CRANAB     |                      | 4700642          |
| 27      | 2       | ŠTÍTOK CR400HD       | DECAL CR400HD    |                      | 5016449          |
| 28      | 1       | IDENTIFIKAČNÝ ŠTÍTOK | ID PLATE         |                      | 4700608          |
| Pos Fig | Kus Qty | Názov                | Description      | Rozmery              | Diel č. Part. nr |

## DRAPÁK CR400X

## GRAPPLE CR400X



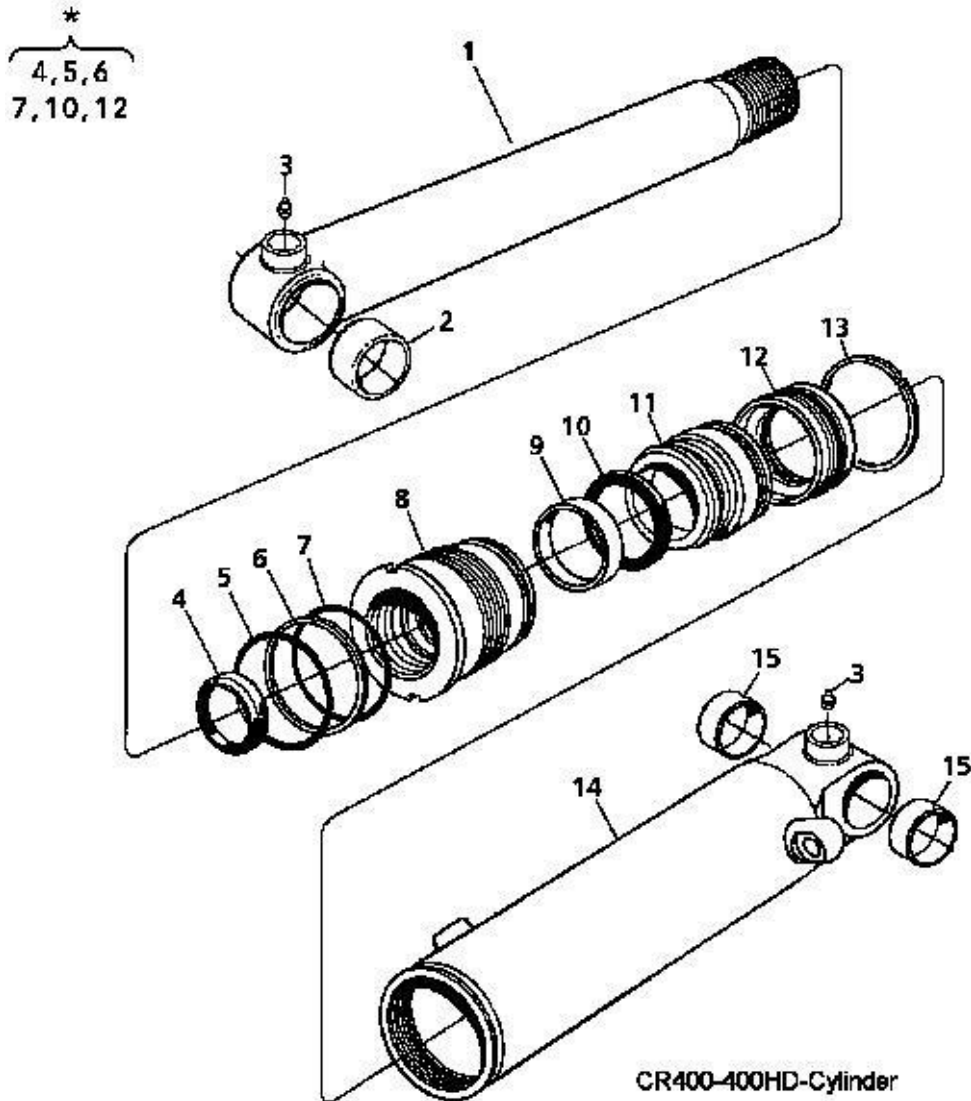
| Pos Fig | Kus Qty | Názov | Description | Rozmery | Diel č. Part. nr |
|---------|---------|-------|-------------|---------|------------------|
|---------|---------|-------|-------------|---------|------------------|

## DRAPÁK

## GRAPPLE

| 1       | 1       | RÁM                  | FRAME            |                      | 1060999          |
|---------|---------|----------------------|------------------|----------------------|------------------|
| 2       | 8       | PÚZDRO               | BUSHING          | 65x60x70             | 1060658          |
| 3       | 8       | MAZNICA              | LUBRICATE NIPPLE | AHKR 1/8             | 1060360          |
| 4       | 1       | ČELUSŤ VONKAJŠIA     | CLAW OUTER       |                      | 4702864          |
| 5       | 2       | TYČKA                | BAR              |                      | 1061000          |
| 6       | 1       | ČELUSŤ VNÚTORNÁ      | CLAW INNER       |                      | 4702863          |
| 7       | 1       | VALEC                | CYLINDER         | CYL B5 DA 100/63-349 | 1060951          |
| 8       | 6       | ČAP EXPANDERA        | PIN EXP          | Ø60-96,5             | 1060687          |
| 9       | 1       | ČAP EXPANDERA        | PIN EXP          | Ø60-134,5            | 1060684          |
| 10      | 1       | ČAP EXPANDERA        | PIN EXP          | Ø60-346,5            | 1060682          |
| 11      | 8       | KUŽEL'               | CONE             |                      | 1060406          |
| 12      | 8       | KUŽEL'               | CONE             |                      | 1060696          |
| 13      | 6       | SKRUTKA              | SCREW            | M6S 10.9 M16x100     | 1060695          |
| 14      | 8       | PODLOŽKA             | WASHER           | NL 17x25x3,4         | 1060568          |
| 15      | 4       | VYMEDZOVACÍ KRÚŽOK   | SPACER           | ø80x60x19            | 1060690          |
| 16      | 2       | VYMEDZOVACÍ KRÚŽOK   | SPACER           | ø80x60x22            | 1060691          |
| 17      | 2       | MATICA               | NUT              | M6M 10 M16           | 1060430          |
| 18      | 1       | ČAP                  | PIN BOLT         | PS 8.8 M16x170       | 1060694          |
| 19      | 1       | ČAP                  | PIN BOLT         | PS 8.8 M16x370       | 1061317          |
| 20      | 2       | ŠTÍTOK CR400X        | DECAL CR400X     |                      | 4702865          |
| 21      | 1       | IDENTIFIKAČNÝ ŠTÍTOK | ID PLATE         |                      | 4700608          |
| 22      | 2       | ŠTÍTOK CRANAB        | DECAL CRANAB     |                      | 4700642          |
| Pos Fig | Kus Qty | Názov                | Description      | Rozmery              | Diel č. Part. nr |

## VALEC CYLINDER



| Pos Fig | Kus Qty | Názov | Description | Rozmery | Diel č. Part. nr |
|---------|---------|-------|-------------|---------|------------------|
|---------|---------|-------|-------------|---------|------------------|

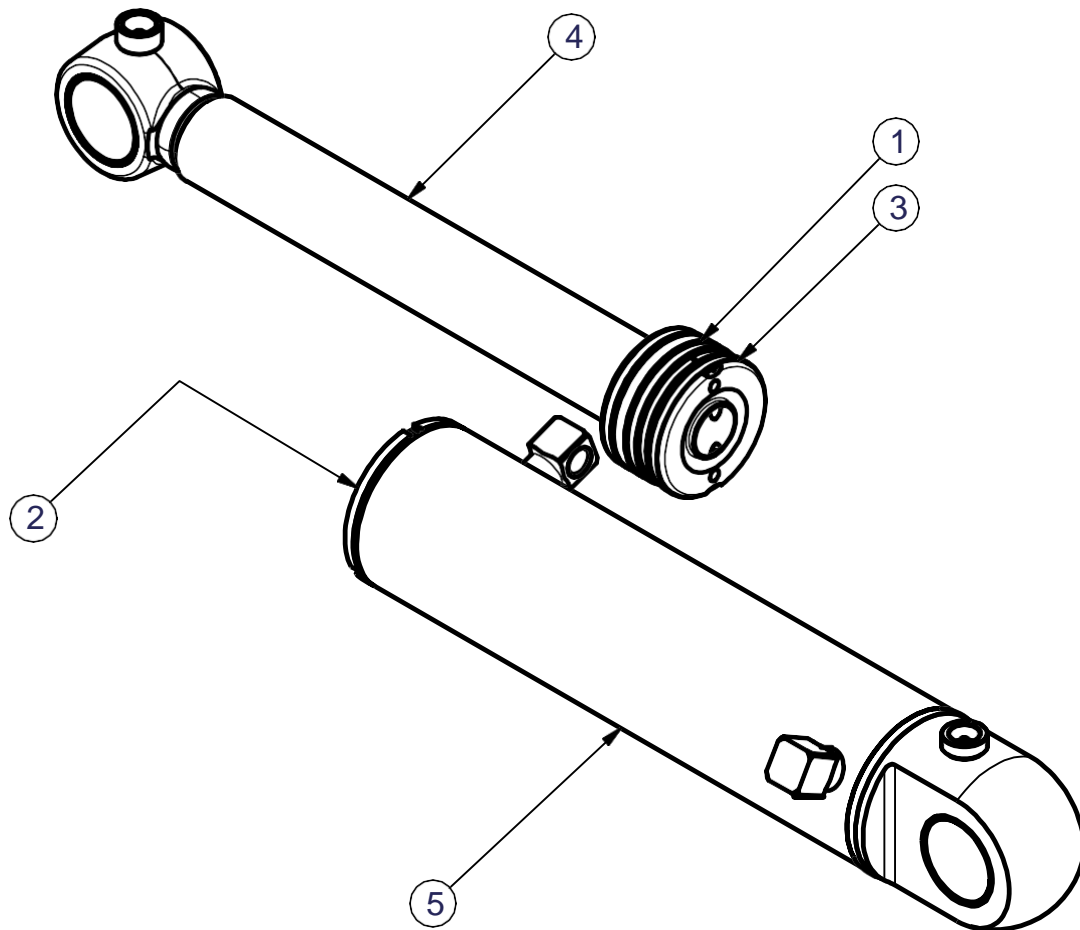
## VALEC

## CYLINDER

| 1       | 1       | PIESTNICA        | PISTON ROD         |           | 1061345          |
|---------|---------|------------------|--------------------|-----------|------------------|
| 2       | 1       | PÚZDRO           | BUSHING            | ø65/60-70 | 1060658          |
| 3       | 1       | MAZNICA          | LUBRICATING NIPPLE |           | 1060360          |
| 4       | 1       | *                | *                  |           |                  |
| 5       | 1       | *                | *                  |           |                  |
| 6       | 1       | *                | *                  |           |                  |
| 7       | 1       | *                | *                  |           |                  |
| 8       | 1       | HORNÁ MATICA     | TOP NUT            |           | 1061346          |
| 9       | 1       | VODIDLO          | GUIDE              |           | 1061347          |
| 10      | 1       | *                | *                  |           |                  |
| 11      | 1       | PIEST            | PISTON             |           | 1061348          |
| 12      | 1       | *                | *                  |           |                  |
| 13      | 1       | PIESTNY KRÚŽOK   | PISTON RING        |           | 1061349          |
| 14      | 1       | VALEC            | CYLINDER           |           | 1061350          |
| 15      | 1       | PÚZDRO           | BUSHING            | ø65/60-70 | 1060658          |
| *       |         | SÚPRAVA TESNENIA | SEAL KIT           |           | 1061351          |
| Pos Fig | Kus Qty | Názov            | Description        | Rozmery   | Diel č. Part. nr |

**VALEC 100/63-349**

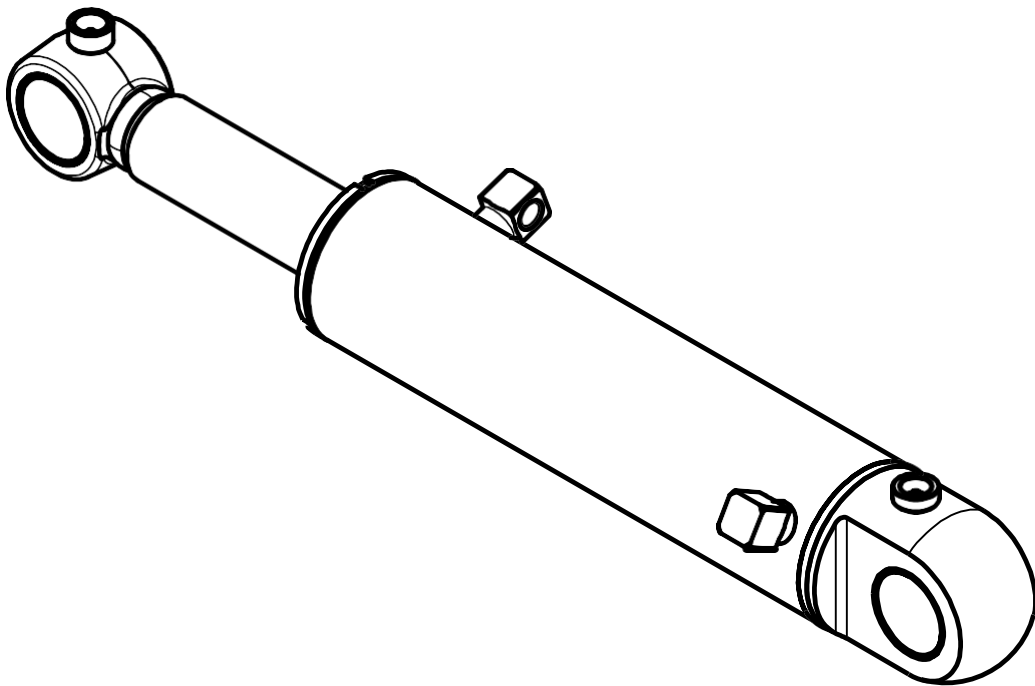
**CYLINDER 100/63-349**





VALEC 100/63-349

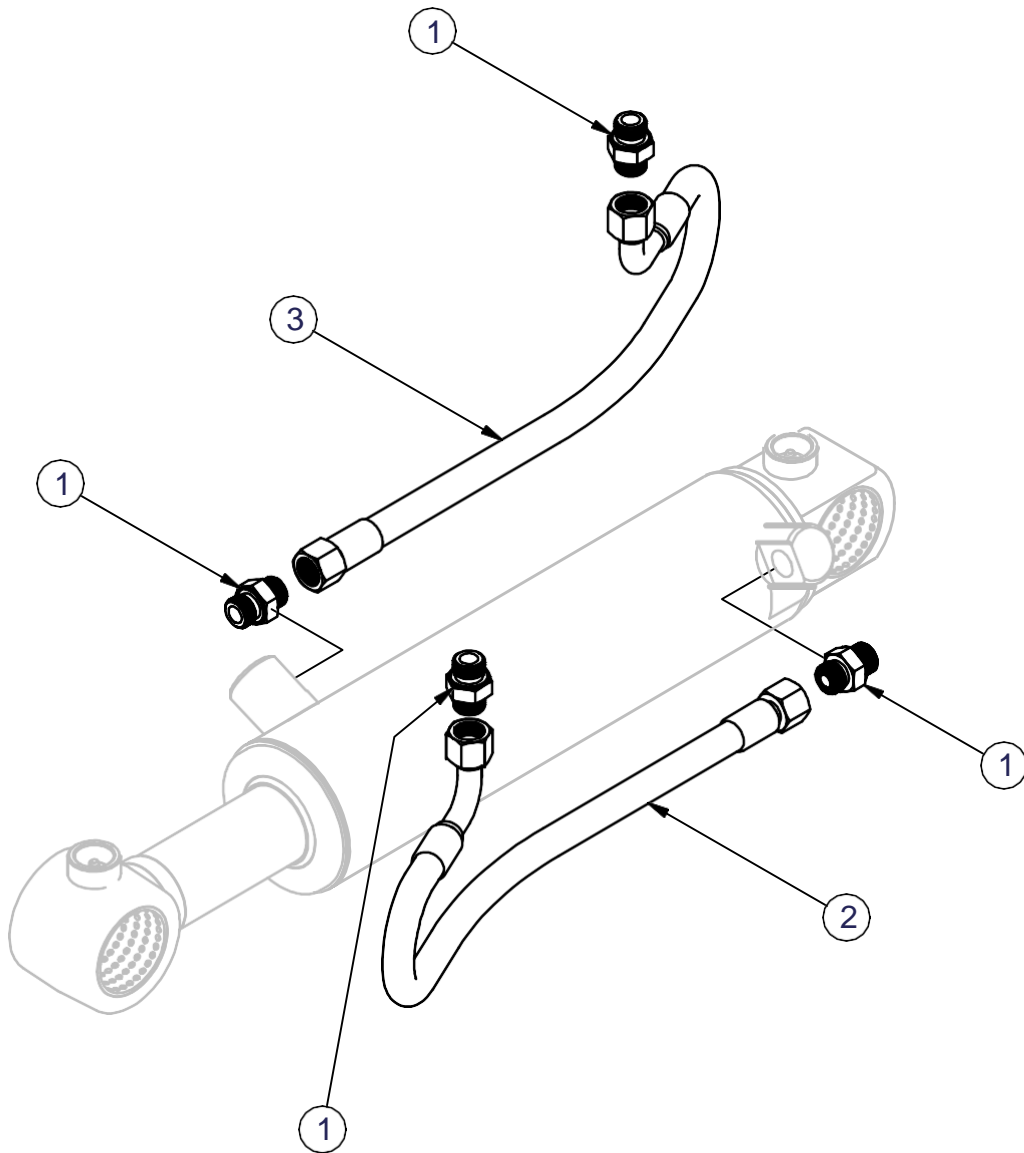
CYLINDER



| 1       | 1       | SÚPRAVA TESNENIA | SEAL KIT    | 100/63  | 4708439          |
|---------|---------|------------------|-------------|---------|------------------|
| 2       | 1       | HORNÁ MATICA     | TOP NUT     |         | 4708435          |
| 3       | 1       | PIEST            | PISTON      |         | 4708436          |
| 4       | 1       | PIESTNICA        | PISTON ROD  |         | 4708437          |
| 5       | 1       | VALEC            | CYLINDER    |         | 4708438          |
| Pos Fig | Kus Qty | Názov            | Description | Rozmery | Diel č. Part. nr |

## SÚPRAVA HADÍC CR400

## HOSE KIT CR400



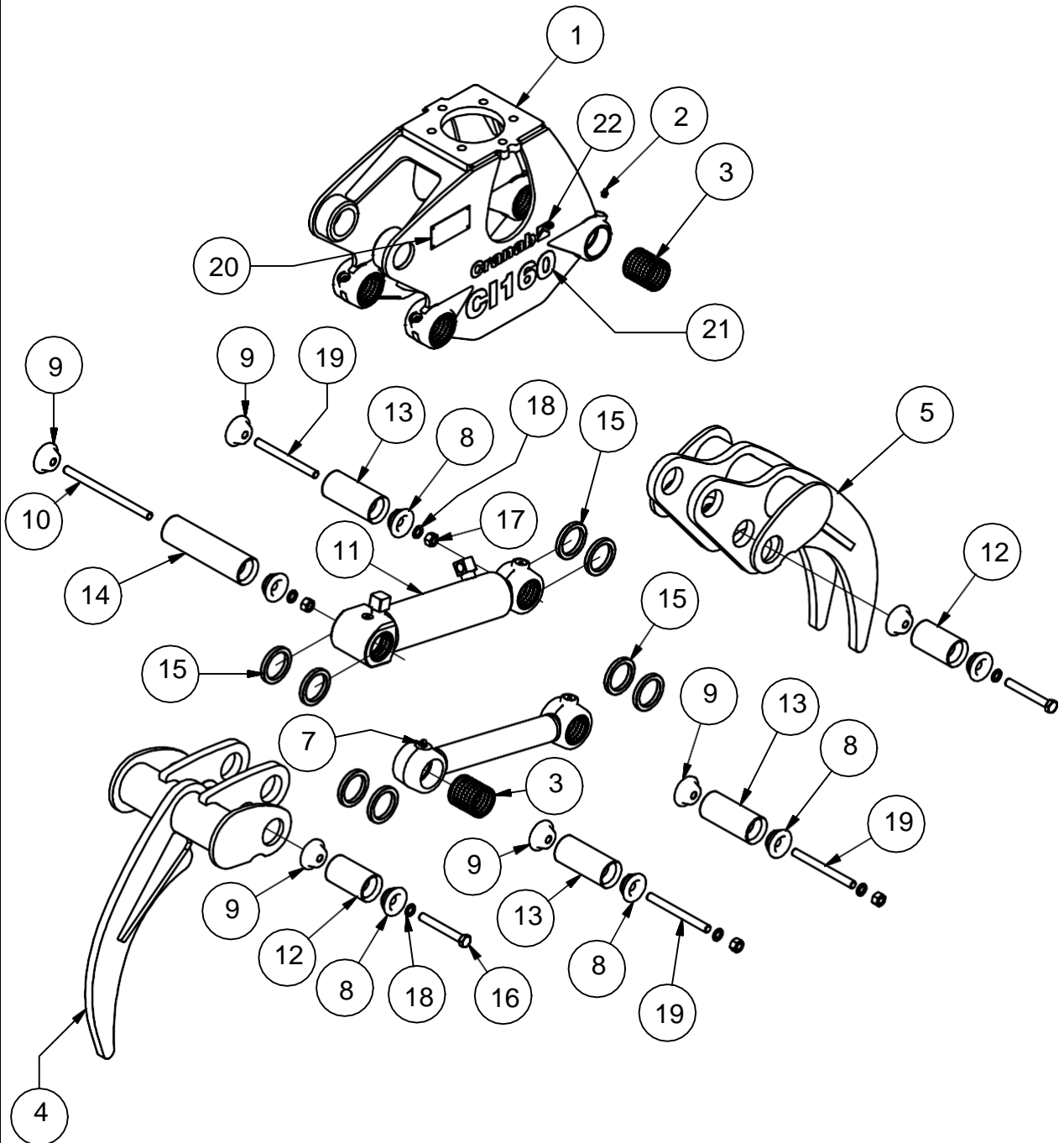
| Pos Fig | Kus Qty | Názov | Description | Rozmery | Diel č. Part. nr |
|---------|---------|-------|-------------|---------|------------------|
|---------|---------|-------|-------------|---------|------------------|

**SÚPRAVA HADÍC****HOSE KIT**

|            |            |                    |                |               |                     |
|------------|------------|--------------------|----------------|---------------|---------------------|
| 1          | 4          | ADAPTER            | ADAPTER        | 1/2"R-13/16"O | 4700809             |
| 2          | 1          | HYDRAULICKÁ HADICA | HYDRAULIC HOSE | 2 1/2 700     | 4700825             |
| 3          | 1          | HYDRAULICKÁ HADICA | HYDRAULIC HOSE | 2 1/2 500     | 4700826             |
| Pos<br>Fig | Kus<br>Qty | Názov              | Description    | Rozmery       | Diel č.<br>Part. nr |

## DRAPÁK CI160

## GRAPPLE CI160



| Pos Fig | Kus Qty | Názov | Description | Rozmery | Diel č. Part. nr |
|---------|---------|-------|-------------|---------|------------------|
|---------|---------|-------|-------------|---------|------------------|

## DRAPÁK

## GRAPPLE

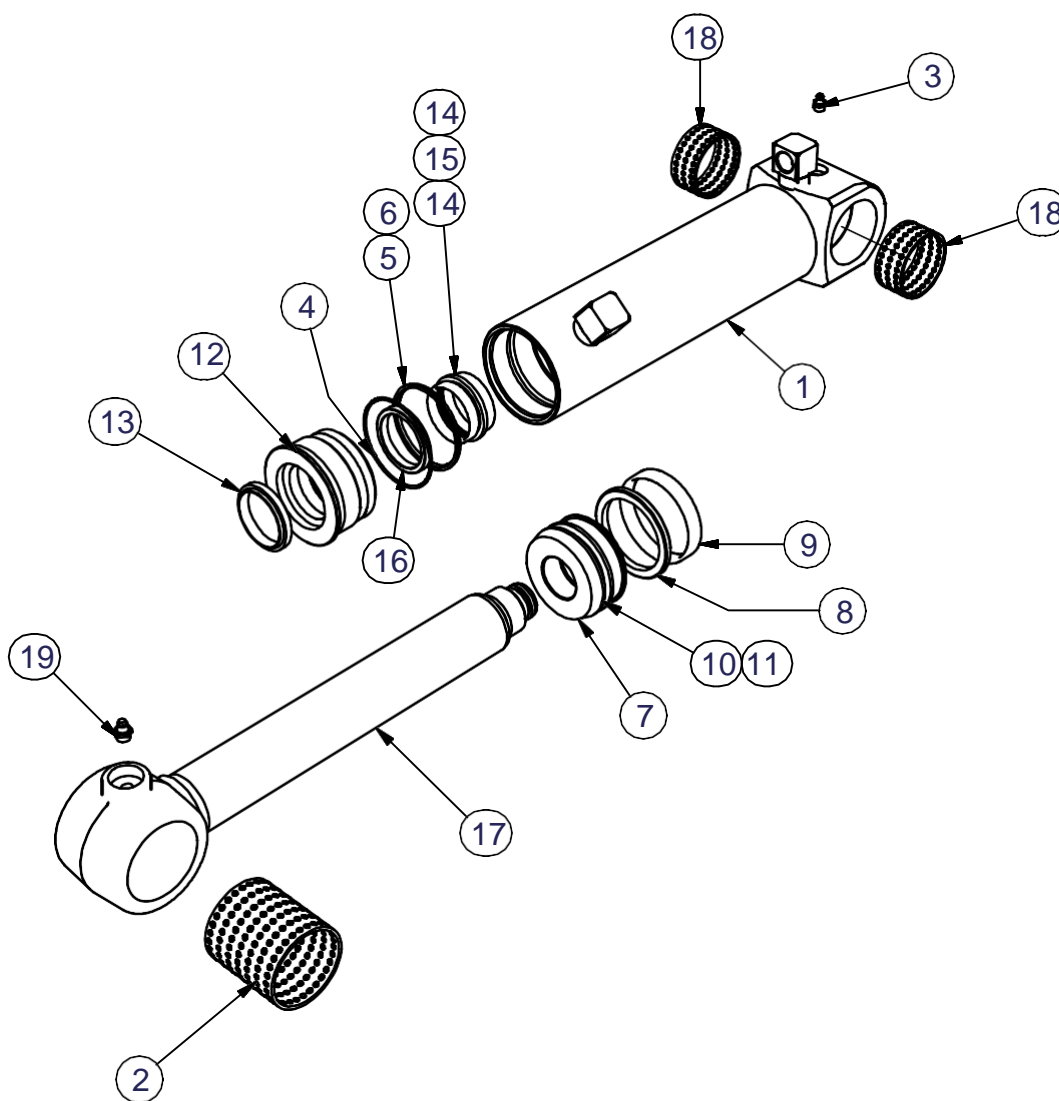
| 1       | 1        | RÁM                  | FRAME            |                  | 4700304          |
|---------|----------|----------------------|------------------|------------------|------------------|
| 2       | 5        | MAZNICA              | LUBRICATE NIPPLE | AHKR 1/8         | 1060360          |
| 3       | 6        | PÚZDRO               | BUSHING          | 65x60x70         | 1060658          |
| 4       | 1        | ČEL'USŤ JEDEN DRAPÁK | CLAW SINGEL      |                  | 4700305          |
| 5       | 1        | ČEL'USŤ DVA DRAPÁKY  | CLAW DUBBLE      |                  | 4700306          |
| 6       | 1        | TYČKA                | BAR              |                  | 4700307          |
| 7       | 1        | MAZNICA              | LUBRICATE NIPPLE | CHKR 1/8 90°     | 1060749          |
| 8       | 8        | KUŽEL'               | CONE             |                  | 1060406          |
| 9       | 8        | KUŽEL'               | CONE             |                  | 1060696          |
| 10      | 1        | ČAP                  | PIN BOLT         | PS 8.8 M16x242   | 4700150          |
| 11      | 1        | VALEC                | CYLINDER         | ø80/50-252       | 4700267          |
| 12      | 4        | ČAP EXPANDERA        | PIN EXP          | Ø60-104          | 1060686          |
| 13      | 3        | ČAP EXPANDERA        | PIN EXP          | Ø60-134,5        | 1060684          |
| 14      | 1        | ČAP EXPANDERA        | PIN EXP          | Ø60-220          | 4700094          |
| 15      | 8        | VYMEDZOVACÍ KRÚŽOK   | SPACER           | ø80x60x10        | 1060688          |
| 16      | 4        | SKRUTKA              | SCREW            | M6S 10.9 M16x120 | 1060792          |
| 17      | 4        | MATICA               | NUT              | M6M 10 M16       | 1060430          |
| 18      | 8        | PODLOŽKA             | WASHER           | NL 17x25x3,4     | 1060568          |
| 19      | 3        | SKRUTKA              | PIN BOLT         | PS 8.8 M16x170   | 1060694          |
| 20      | 1        | IDENTIFIKAČNÝ ŠTÍTOK | ID PLATE         |                  | 4700608          |
| 21      | 2        | ŠTÍTOK               | DECAL            |                  | 4700379          |
| 22      | 2        | ŠTÍTOK CRANAB        | DECAL CRANAB     |                  | 4700642          |
| Pos Fig | Ku s Qty | Názov                | Description      | Rozmery          | Diel č. Part. nr |

## VALEC CI160

## CYLINDER CI160

\*

4, 5, 6, 8, 9, 10,  
11, 13, 14, 15, 16



| Pos Fig | Kus Qty | Názov | Description | Rozmery | Diel č. Part. nr |
|---------|---------|-------|-------------|---------|------------------|
|---------|---------|-------|-------------|---------|------------------|

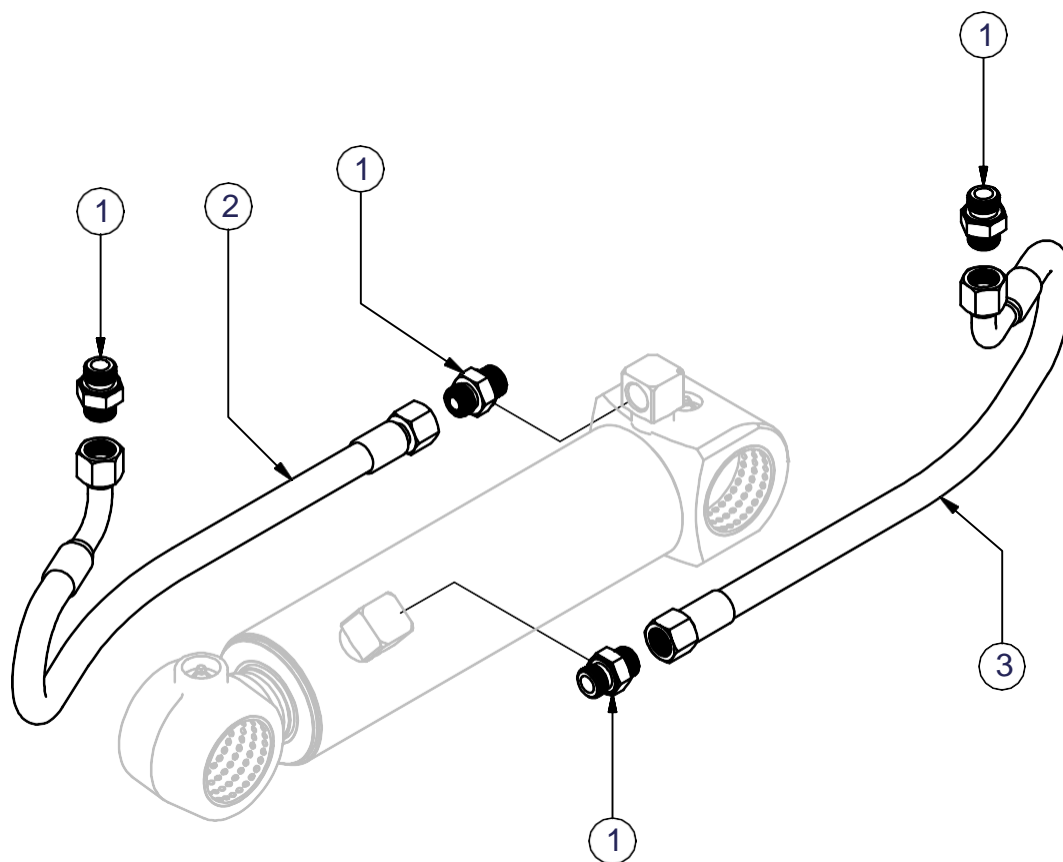
## VALEC

## CYLINDER

| 1       | 1        | VALEC            | CYLINDER           |           | 4700781          |
|---------|----------|------------------|--------------------|-----------|------------------|
| 2       | 1        | PÚZDRO           | BUSHING            | ø65/60-70 | 1060658          |
| 3       | 1        | MAZNICA          | LUBRICATING NIPPLE |           | 1060360          |
| 4       | 1        | *                | *                  |           |                  |
| 5       | 1        | *                | *                  |           |                  |
| 6       | 1        | *                | *                  |           |                  |
| 7       | 1        | PIEST            | PISTON             |           | 4700780          |
| 8       | 1        | *                | *                  |           |                  |
| 9       | 1        | *                | *                  |           |                  |
| 10      | 1        | *                | *                  |           |                  |
| 11      | 1        | *                | *                  |           |                  |
| 12      | 1        | HORNÁ MATICA     | TOP NUT            |           | 4700779          |
| 13      | 1        | *                | *                  |           |                  |
| 14      | 1        | *                | *                  |           |                  |
| 15      | 1        | *                | *                  |           |                  |
| 16      | 1        | *                | *                  |           |                  |
| 17      | 1        | PIESTNICA        | PISTON ROD         |           | 4700778          |
| 18      | 2        | PÚZDRO           | BUSHING            | ø65/60-30 | 1060454          |
| 19      | 1        | MAZNICA          | LUBRICATING NIPPLE |           | 1060360          |
| *       |          | SÚPRAVA TESNENIA | SEAL KIT           |           | 4700698          |
| Pos Fig | Ku s Qty | Názov            | Description        | Rozmery   | Diel č. Part. nr |

## SÚPRAVA HADÍC CI160

## HOSE KIT CI160



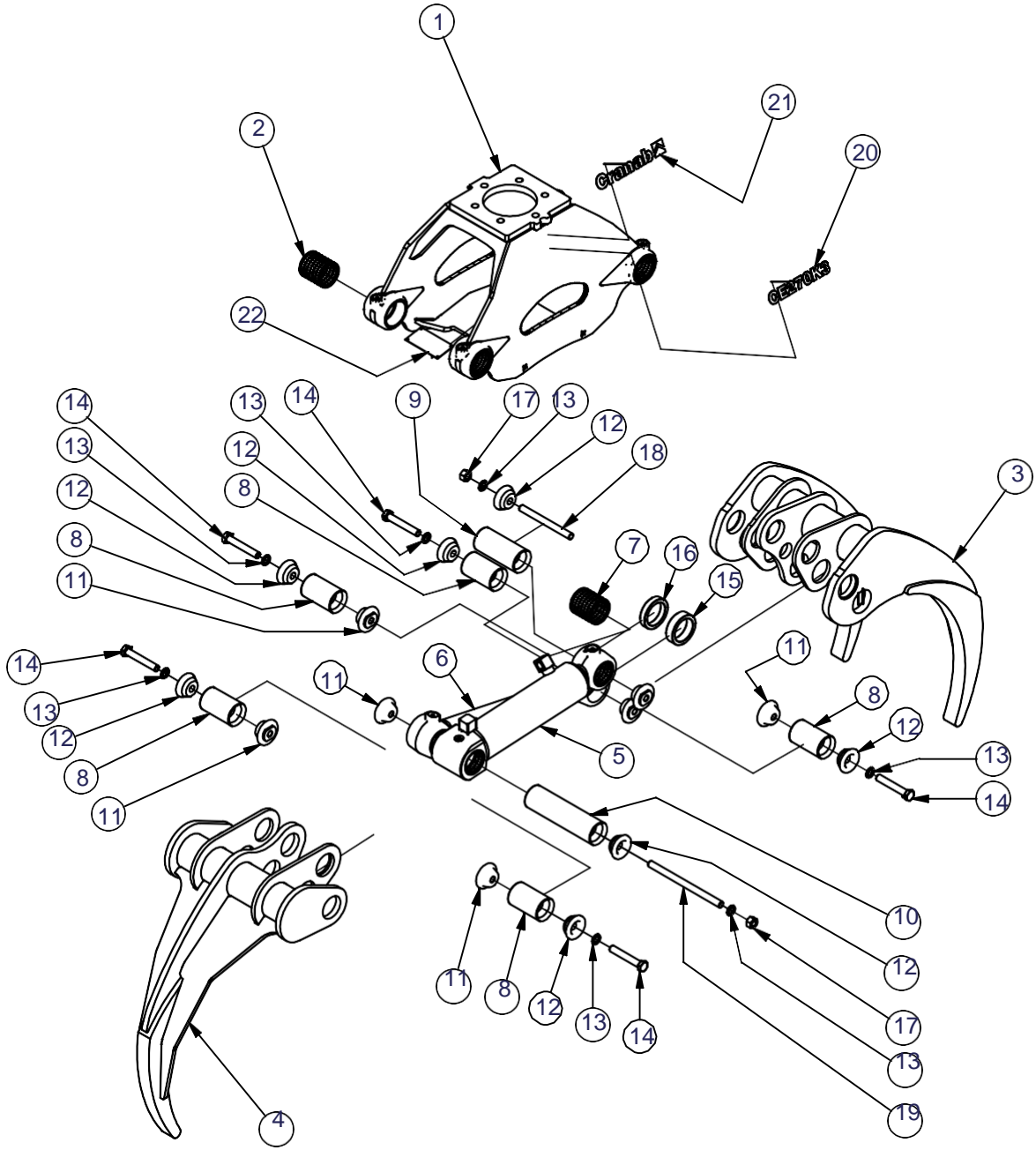
| Pos Fig | Kus Qty | Názov | Description | Rozmery | Diel č. Part. nr |
|---------|---------|-------|-------------|---------|------------------|
|---------|---------|-------|-------------|---------|------------------|



**SÚPRAVA HADÍC****HOSE KIT**

|            |            |                    |                |               |                     |
|------------|------------|--------------------|----------------|---------------|---------------------|
| 1          | 4          | ADAPTER            | ADAPTER        | 1/2"R-13/16"O | 4700809             |
| 2          | 1          | HYDRAULICKÁ HADICA | HYDRAULIC HOSE | 2 1/2 600     | 4701650             |
| 3          | 1          | HYDRAULICKÁ HADICA | HYDRAULIC HOSE | 2 1/2 400     | 4704823             |
| Pos<br>Fig | Kus<br>Qty | Názov              | Description    | Rozmery       | Diel č.<br>Part. nr |

**DRAPÁK CE270K3**  
**GRAPPLE CE270K3**

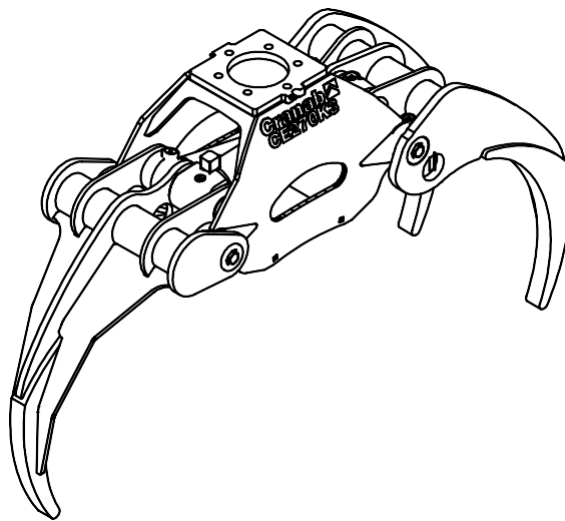


| Pos Fig | Kus Qty | Názov | Description | Rozmery | Diel č. Part. nr |
|---------|---------|-------|-------------|---------|------------------|
|---------|---------|-------|-------------|---------|------------------|



## DRAPÁK

## GRAPPLE



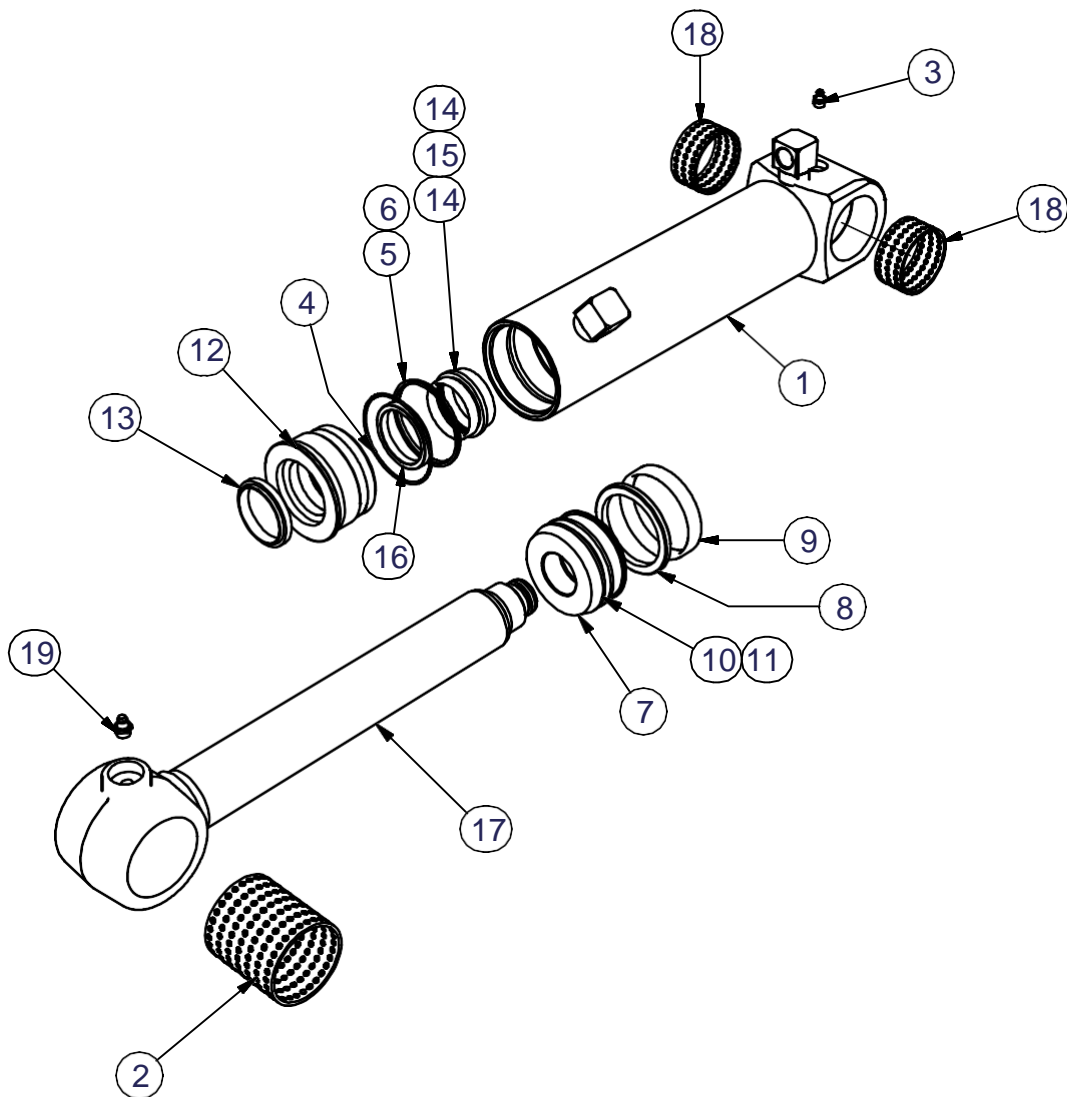
| 1       | 1       | RÁM                  | FRAME        |                  | 4702026          |
|---------|---------|----------------------|--------------|------------------|------------------|
| 2       | 4       | PÚZDRO               | BUSHING      | 65x60x70         | 1060658          |
| 3       | 1       | ČEL'USŤ DVA DRAPÁKY  | GRAPPLE ARM  |                  | 4701613          |
| 4       | 1       | ČEL'USŤ JEDEN DRAPÁK | GRAPPLE ARM  |                  | 4701611          |
| 5       | 1       | VALEC                | CYLINDER     | ø80/50-252       | 4700267          |
| 6       | 1       | TYČKA                | BAR          |                  | 4700303          |
| 7       | 2       | PÚZDRO               | BUSHING      | 65x60x70         | 1060658          |
| 8       | 5       | ČAP EXPANDERA        | PIN EXP      | Ø60-96,5         | 1060687          |
| 9       | 1       | ČAP EXPANDERA        | PIN EXP      | Ø60-134,5        | 1060684          |
| 10      | 1       | ČAP EXPANDERA        | PIN EXP      | Ø60-220          | 4700094          |
| 11      | 7       | KUŽEL'               | CONE         |                  | 1060696          |
| 12      | 7       | KUŽEL'               | CONE         |                  | 1060406          |
| 13      | 7       | PODLOŽKA             | WASHER       | NL 17x25x3,4     | 1060568          |
| 14      | 5       | SKRUTKA              | SCREW        | M6S 10.9 M16x100 | 1060695          |
| 15      | 1       | VYMEDZOVACÍ KRÚŽOK   | SPACER       | ø80x60x22        | 1060691          |
| 16      | 1       | VYMEDZOVACÍ KRÚŽOK   | SPACER       | ø80x60x16        | 1060689          |
| 17      | 2       | MATICA               | NUT          | M6M 10 M16       | 1060430          |
| 18      | 1       | ČAP                  | PIN BOLT     | PS 8.8 M16x170   | 1060694          |
| 19      | 1       | ČAP                  | PIN BOLT     | PS 8.8 M16x242   | 4700150          |
| 20      | 2       | ŠTÍTOK               | DECAL        |                  | 4700380          |
| 21      | 2       | ŠTÍTOK CRANAB        | DECAL CRANAB |                  | 4700642          |
| 22      | 1       | IDENTIFIKAČNÝ ŠTÍTOK | ID PLATE     |                  | 4700608          |
| Pos Fig | Kus Qty | Názov                | Description  | Rozmery          | Diel č. Part. nr |

## VALEC CE270K3

## CYLINDER CE270K3

\*

4, 5, 6, 8, 9, 10,  
11, 13, 14, 15, 16



| Pos Fig | Kus Qty | Názov | Description | Rozmery | Diel č. Part. nr |
|---------|---------|-------|-------------|---------|------------------|
|---------|---------|-------|-------------|---------|------------------|

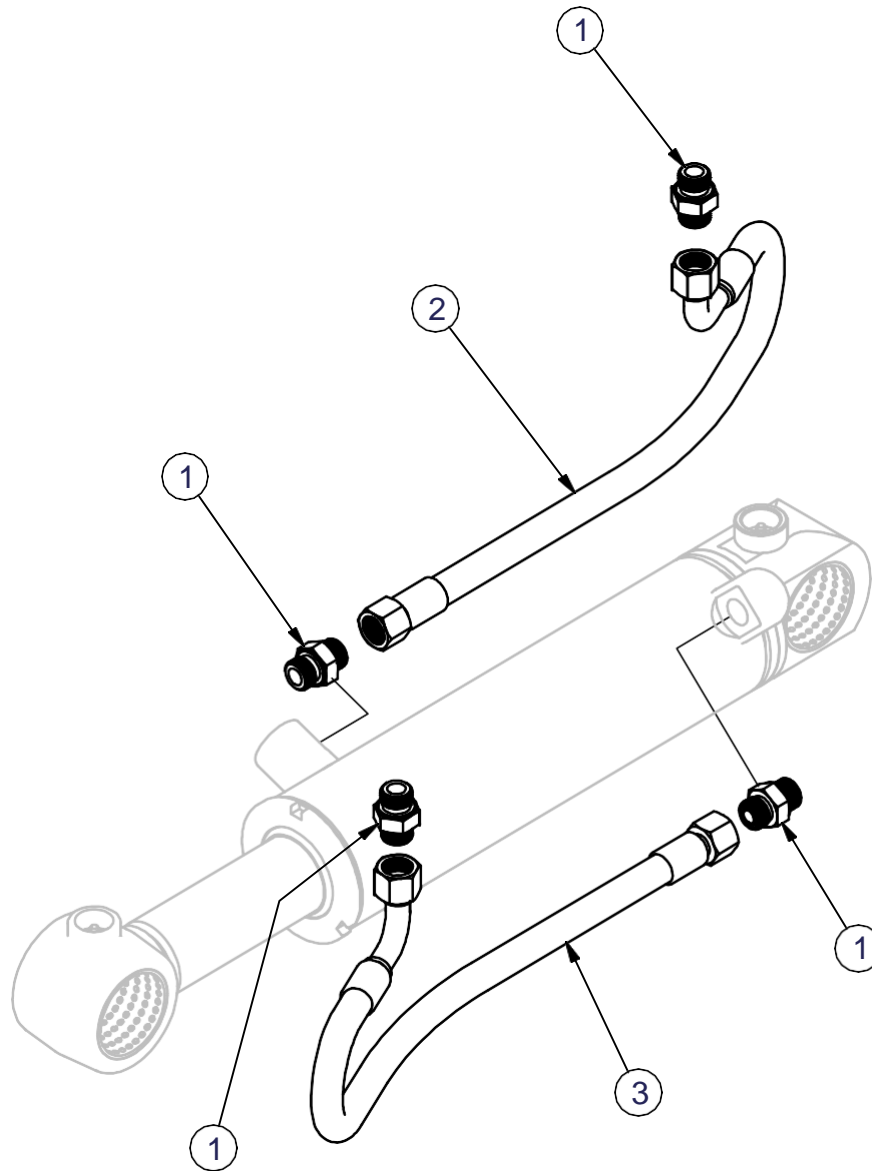
## VALEC

## CYLINDER

| 1       | 1       | VALEC               | CYLINDER           |           | 4700781          |
|---------|---------|---------------------|--------------------|-----------|------------------|
| 2       | 1       | PÚZDRO              | BUSHING            | ø65/60-70 | 1060658          |
| 3       | 1       | MAZNICA             | LUBRICATING NIPPLE |           | 1060360          |
| 4       | 1       | *                   | *                  |           |                  |
| 5       | 1       | *                   | *                  |           |                  |
| 6       | 1       | *                   | *                  |           |                  |
| 7       | 1       | PIEST               | PISTON             |           | 4700780          |
| 8       | 1       | *                   | *                  |           |                  |
| 9       | 1       | *                   | *                  |           |                  |
| 10      | 1       | *                   | *                  |           |                  |
| 11      | 1       | *                   | *                  |           |                  |
| 12      | 1       | HORNÁ MATICA        | TOP NUT            |           | 4700779          |
| 13      | 1       | *                   | *                  |           |                  |
| 14      | 1       | *                   | *                  |           |                  |
| 15      | 1       | *                   | *                  |           |                  |
| 16      | 1       | *                   | *                  |           |                  |
| 17      | 1       | PIESTNICA           | PISTON ROD         |           | 4700778          |
| 18      | 2       | PÚZDRO              | BUSHING            | ø65/60-30 | 1060454          |
| 19      | 1       | MAZNICA             | LUBRICATING NIPPLE |           | 1060360          |
| *       |         | SÚPRAVA TESNENIA Č. | SEAL KIT           |           | 4700698          |
| Pos Fig | Kus Qty | Názov               | Description        | Rozmery   | Diel č. Part. nr |

## SÚPRAVA HADÍC CE270K3

## HOSE KIT CE270K3




| Pos Fig | Kus Qty | Názov | Description | Rozmery | Diel č. Part. nr |
|---------|---------|-------|-------------|---------|------------------|
|---------|---------|-------|-------------|---------|------------------|

**SÚPRAVA HADÍC****HOSE KIT**

|            |            |                    |                |               |                     |
|------------|------------|--------------------|----------------|---------------|---------------------|
| 1          | 4          | ADAPTER            | ADAPTER        | 1/2"R-13/16"O | 4700809             |
| 2          | 1          | HYDRAULICKÁ HADICA | HYDRAULIC HOSE | 2 1/2 600     | 4701650             |
| 3          | 1          | HYDRAULICKÁ HADICA | HYDRAULIC HOSE | 2 1/2 500     | 4700826             |
| Pos<br>Fig | Kus<br>Qty | Názov              | Description    | Rozmery       | Diel č.<br>Part. nr |

**Cranab AB  
SE-922 82 VINDELN  
SWEDEN**

**+46-(0)933-135 00**

** +46-(0)933-617 36  
[www.slagkraft.com](http://www.slagkraft.com)  
[www.cranab.com](http://www.cranab.com)**

Distribútor  
pre ČR a SR

**Global-Logging s.r.o.  
Suvorovova 2793/7A  
010 01 Žilina**

**[www.global-logging.eu/](http://www.global-logging.eu/)  
[info@global-logging.eu](mailto:info@global-logging.eu)  
**+421 918 755 833****